

S&C Recloser Bypass Disconnects

Outdoor Distribution (14.4 kV through 34.5 kV)

Specifications

Conditions of Sale

STANDARD: Seller's standard conditions of sale set forth in Price Sheet 150 apply.

SPECIAL TO THIS PRODUCT:

INCLUSIONS: S&C Recloser Bypass Disconnects are used for bypassing automatic circuit reclosers for maintenance operations—and are generally applied in combination with a separately mounted S&C Loadbuster Disconnect®.

Recloser Bypass Disconnects consist of an S&C Type SMD-20 Power Fuse, Type SMD-40 Power Fuse, Type SM-5® Power Fuse, Type XS Fuse Cutout, or a second S&C Loadbuster Disconnect; in series with an S&C Loadbuster Disconnect. A third terminal pad is provided at the common connection.

Recloser Bypass Disconnects utilizing Type SMD-20 or SMD-40 Power Fuses include fuse-unit end fittings.

Recloser Bypass Disconnects utilizing Type XS Fuse Cutouts include fuse tubes. The 100-ampere model rated 14.4 kV includes an Extra-Heavy-Duty Fuse Tube, Catalog Number 89521R10; the 200-ampere models rated 14.4 kV and 25 kV include an Ultra-Heavy-Duty Fuse Tube, Catalog Number 89572R11; and the 100-ampere model rated 25 kV includes an Extra-Heavy-Duty Fuse Tube, Catalog Number 89522R10.

EXCLUSIONS: Recloser Bypass Disconnects do not include connectors. Various connector arrangements are available, as listed in the table on page 9. Specify the connector arrangement desired by adding the appropriate suffix letter to the catalog number of the selected Recloser Bypass Disconnect.

Recloser Bypass Disconnects utilizing power fuses do not include fuse units, holders, or refill units.

SPECIFICATION DEVIATIONS: S&C Recloser Bypass Disconnects are offered with a choice of Cypoxy®★ or porcelain station post insulators. The standard insulator color is gray.

★ *Cypoxy* is the S&C trademark for S&C's cycloaliphatic epoxy resin system. Cypoxy is nontracking, self-scouring, nonweathering . . . there's never a compromise of insulation integrity.

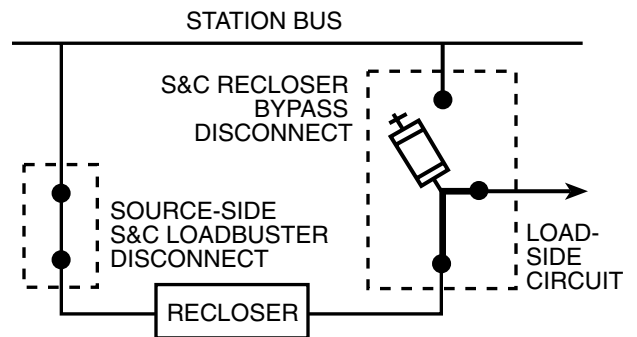
Recloser Bypass Disconnects can be provided with insulators of the next *lower* voltage rating—add suffix “-Z2” to the catalog number, or with insulators of the next *higher* voltage rating—add suffix “-Z3” to the catalog number.

Disconnects can be supplied with tin-plated terminal pads at the power fuse (or cutout) jaw contact. To specify, add suffix “-Z5” to the catalog number. Disconnects are furnished with tin-plated terminal pads at the jaw and hinge contacts of the disconnect blade(s) as a standard feature.

Recloser Bypass Disconnects cannot be supplied less insulators and/or less bases.

WARRANTY QUALIFICATIONS: The standard warranty contained in seller's standard conditions of sale (as set forth in Price Sheet 150) does not apply to S&C Recloser Bypass Disconnects, Outdoor Distribution, when installed in conjunction with fuse tubes, fuse units, or fuse holders of other than S&C manufacture.

APPLICATION NOTE: These disconnects are generally used in combination with an S&C Loadbuster Disconnect (see Specification Bulletin 821-31) for recloser bypass applications. See schematic diagram below.



SCHEMATIC DIAGRAM
(Normal operating position)



How to Order a Complete Vertical Style Recloser Bypass Disconnect

1. Disconnect and Connectors

- a. Obtain the catalog number of the desired Recloser Bypass Disconnect from the table on page 3.
- b. Select the desired connector arrangement from the table on page 9. Add the indicated suffix letter to the catalog number of the Recloser Bypass Disconnect selected in Step a.

2. Fuse Components

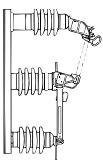
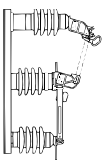
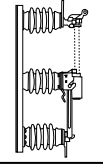
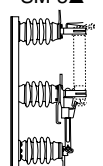
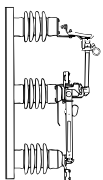
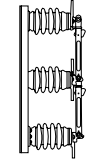
- a. For SMD-20 Power Fuses: Obtain the catalog number of the desired fuse unit from the tables on pages 4 and 5.
- b. For SMD-40 Power Fuses: Obtain the catalog number of the desired fuse unit from the table on page 8.
- c. For SM-5 Power Fuses: Obtain the catalog number of the refill unit and holder from the tables on pages 8 and 10, respectively, taking care to match the voltage rating of the holder to the refill unit.
- d. For Type XS Cutouts: Obtain the catalog number of the fuse link in the desired speed and rating from the tables on pages 6 and 7.

How to Order a Complete Type RA Recloser Bypass Disconnect

1. Obtain the catalog number of the desired Type RA Bypass Disconnect from the table on page 4.
2. a. Select the desired connector from the table on page 10.
b. Select the mounting bracket option from the table on page 10.
c. Add the suffix letter to the catalog number of the Type RA Recloser Bypass Disconnect selected in Step 1.

How to Order Handling Tools

Obtain the catalog number(s) of recommended handling tool(s) from the table on page 10. Refer to Specification Bulletin 851-31.

Vertical Style Recloser Bypass Disconnects—Less Connectors												
Fuse Type	Rating							Cypoxy Station Post Insulators		Porcelain Station Post Insulators		Page Reference for Dimensional Information
	kV			Amperes, RMS				Catalog Number		Catalog Number		
	Nom.	Max	BIL	Switch		Fuse		Fuse on Right	Fuse on Left	Fuse on Right	Fuse on Left	
				Cont.	Mom. (Asym.) ^①	Max	Interr. (Sym.) ^②					
 SMD-20▲	14.4	15.5	110	600	40 000	200E‡	14 000	192702-E●	192712-E●	192702●	192712●	11
	25	27	150	600	40 000	200E‡	12 500	192703-E●	192713-E●	192703●	192713●	
 SMD-20▲	34.5	38	200	900	40 000	200E‡	10 000	192704-E●	192714-E●	192704●	192714●	12
 SMD-40■▲	14.4	15.5	110	600	40 000	400E	25 000	192802-E●	192812-E●	192802●	192812●	13
	25	27	150	600	40 000	400E	20 000	192803-E●	192813-E●	192803●	192813●	
 SM-5▲	14.4	15.5	110	600	40 000	400E	34 000	192722-E▶	192732-E▶	192722▶	192732▶	14
	25	27	150	600	40 000	300E	20 000	192723-E▶	192733-E▶	192723▶	192733▶	
 XS Fuse Cutout	14.4	15	110	600	40 000	100	7 100	192742R1-E◆	192752R1-E◆	192742R1◆	192752R1◆	15
	14.4	15	110	600	40 000	200	7 100	192762R1-E◆	192772R1-E◆	192762R1◆	192772R1◆	
	25	27	150	600	40 000	100	5 300	192763R1-E◆	192773R1-E◆	192763R1◆	192773R1◆	
	25	27	150	600	40 000	200	5 300	192743R1-E◆	192753R1-E◆	192743R1◆	192753R1◆	
 No Fuse★	14.4	15.5	110	600	40 000	—	—	—	192782-E	—	192782	16
	25	27	150	600	40 000	—	—	—	192783-E	—	192783	

① One-second rating: 25,000 amperes, RMS symmetrical; three-second rating: 16,000 amperes, RMS symmetrical.

② Symmetrical fuse interrupting ratings assigned to Recloser Bypass Disconnects furnished with Type XS Fuse Cutouts are based on available short-circuit current at locations where the X/R ratio is 8 for 14.4-kV models, or 12 for 25-kV models; the RMS asymmetrical interrupting ratings are 10,000 amperes for 14.4-kV models, 8,000 amperes for 25-kV models.

Symmetrical fuse interrupting ratings assigned to Recloser Bypass Disconnects furnished with SMD-20, SMD-40, or SM-5 Power Fuses are based on available short-circuit current at locations where the X/R ratio is 15; the interrupting ratings expressed in amperes, RMS asymmetrical are 1.6 times the symmetrical ratings listed.

▲ Disconnects can be supplied with tin-plated terminal pads at the power fuse jaw contact. To specify, add suffix “-Z5” to the catalog number. Disconnects are furnished with tin-plated terminal pads at the jaw and hinge contacts of the disconnect blade(s) as a standard feature.

■ SMD-40 mountings can be equipped with an optional attachment hook to accommodate Loadbuster®. Specify by adding suffix “-LB” to the catalog number.

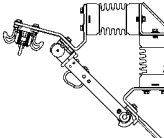
★ A second S&C Loadbuster Disconnect is furnished in place of fuse.

‡ SMD-20 Power Fuses accommodate SMU-20 Fuse Units in ratings through 200K amperes as well as 200E amperes.

● Includes fuse-unit end fittings. SMU-20 or SMU-40 Fuse Units are not included and must be ordered separately. Refer to pages 4, 5, and 8.

▶ SM-5 Holders and SM-5 Refill Units are not included and must be ordered separately. Refer to page 8 for SM-5 Refill Units and page 10 for SM-5 Holders.

◆ Includes fuse tube. Refer to page 1. Fuse links are not included and must be ordered separately. Refer to pages 6 and 7.

Type RA Recloser Bypass Disconnects—Less Connectors										
Illustration	Ratings					Leakage Distance to Ground, Minimum, Inches (mm)	Catalog Number			
	kV			Amperes, RMS			Cypoxy Insulators		Porcelain Station Post Insulators	
	Nom.	Max	BIL	Cont.	Mom., Asym. ①		Clockwise Blade Opening	Counter-Clockwise Blade Opening	Clockwise Blade Opening	Counter-Clockwise Blade Opening
	14.4	15.5	110	900	40 000	14.2 (361)	192522-E	192532-E	192522	192532
	25	27	125▲	900	40 000	24.2 (615)	192523-E	192533-E	192523	192533

① For disconnects rated 900 amperes continuous, the 3-second rating is 25,000 amperes RMS symmetrical.




▲ These disconnects equipped with Cypoxy Insulators meet requirements for 150-kV BIL rating.

Options for Recloser Bypass Disconnects		
Item	Applicable Models	Add Catalog Number Suffix
Stainless-Steel Anchor Horn and Hinge Support	All Vertical Styles	-S1
No Blade Stop	All 600-A Vertical Style	-B0
Blade Stop Installed at 90°	All Vertical Style	-B90
Mounting Bracket Back-Up Member, 6 ¹ / ₈ " to 8 ⁷ / ₈ " Bolt Spacing	All Type RA	-D1
Mounting Bracket Stand-Off Bracket, for Mounting Directly on Pole	All Type RA	-D2

SMU-20® Fuse Units					
14.4 kV Nominal, 17.0 kV Max					
"K" Ratings		"E" Ratings			
Rating, Amperes ↓	Catalog Number	Rating, Amperes ↓	Catalog Number		
Speed →	S&C "K" TCC 165-2	Speed →	S&C Std. TCC 115-2		
		1	702001		
		Speed →	S&C Std. TCC 153-2	S&C Slow TCC 119-2	S&C Very Slow TCC 176-2
3K	702003	5E	612005		
6K	702006	7E	612007		
8K	702008	10E	612010		
10K	702010	13E	612013		
12K	702012	15E	612015	712015	
15K	702015	20E	612020	712020	
20K	702020	25E	612025	712025	
25K	702025	30E	612030	712030	
30K	702030	40E	612040	712040	
40K	702040	50E	612050	712050	
50K	702050	65E	612065	712065	602050
65K	702065	80E	612080	712080	602065
80K	702080	100E	612100	712100	602080
100K	702100	125E	612125	712125	602100
140K	702140	150E	612150	712150	602125
200K	702200	175E	612175	712175	602150
		200E	612200	712200	602175
					602200

TABLE CONTINUED ►

SMU-20® Fuse Units					
25 kV Nominal, 27 kV Max					
“K” Ratings			“E” Ratings		
Rating, Amperes ↓	Catalog Number	Rating, Amperes ↓	Catalog Number		
Speed →	S&C “K” TCC 165-2	Speed →	S&C Std. TCC 115-2		
		1	703001		
		Speed →	S&C Std. TCC 153-2	S&C Slow TCC 119-2	S&C Very Slow TCC 176-2
3K	703003	5E	613005		
6K	703006	7E	613007		
8K	703008	10E	613010		
10K	703010	13E	613013		
12K	703012	15E	613015	713015	
15K	703015	20E	613020	713020	
20K	703020	25E	613025	713025	
25K	703025	30E	613030	713030	
30K	703030	40E	613040	713040	
40K	703040	50E	613050	713050	603050
50K	703050	65E	613065	713065	603065
65K	703065	80E	613080	713080	603080
80K	703080	100E	613100	713100	603100
100K	703100	125E	613125	713125	603125
140K	703140	150E	613150	713150	603150
200K	703200	175E	613175	713175	603175
		200E	613200	713200	603200
34.5 kV Nominal, 38 kV Max					
“K” Ratings			“E” Ratings		
Rating, Amperes ↓	Catalog Number	Rating, Amperes ↓	Catalog Number		
Speed →	S&C “K” TCC 165-2	Speed →	S&C Std. TCC 115-2		
		1	704001		
		Speed →	S&C Std. TCC 153-2	S&C Slow TCC 119-2	S&C Very Slow TCC 176-2
3K	704003	5E	614005		
6K	704006	7E	614007		
8K	704008	10E	614010		
10K	704010	13E	614013		
12K	704012	15E	614015	714015	
15K	704015	20E	614020	714020	
20K	704020	25E	614025	714025	
25K	704025	30E	614030	714030	
30K	704030	40E	614040	714040	
40K	704040	50E	614050	714050	604050
50K	704050	65E	614065	714065	604065
65K	704065	80E	614080	714080	604080
80K	704080	100E	614100	714100	604100
100K	704100	125E	614125	714125	604125
140K	704140	150E	614150	714150	604150
200K	704200	175E	614175	714175	604175
		200E	614200	714200	604200

Fuse Links, Universal Style—Not Usable in Positrect® ^①					
S&C Standard Speed (TCC No. 123-6)		S&C “K” Speed (TCC No. 165-6)		S&C “T” Speed (TCC No. 170-6)	
 23-Inch (584 mm) Overall Length		 23-Inch (584 mm) Overall Length		 23-Inch (584 mm) Overall Length	
Rating, Amperes	Catalog Number	Rating, Amperes	Catalog Number	Rating, Amperes	Catalog Number
1	64001	▲		▲	
2	64002	▲		▲	
3	64003	▲		▲	
5	64005				
7	64007	6K	265006	6T	279006
		8K	265008	8T	279008
10	64010	10K	265010	10T	279010
		12K	265012	12T	279012
15	64015	15K	265015	15T	279015
20	64020	20K	265020	20T	279020
25	64025	25K	265025	25T	279025
30	64030	30K	265030	30T	279030
40	64040	40K	265040	40T	279040
50	64050	50K	265050	50T	279050
65	64065	65K	265065	65T	279065
80	64080	80K	265080	80T	279080
100	64100	100K	265100	100T	279100
125	64125R1■	140K	265140R1■	140T	279140■
150	64150R1■				
200	64200R1■	200K	265200R1■	200T	279200■

① Fuse links in ratings through 100 amperes are sold in packs of 5 or overpacks of 25. Minimum ordering quantity is 5. Fuse links in ratings greater than 100 amperes are sold in packs of 1 or overpacks of 5. Minimum ordering quantity is 5.

② These fuse links are interchangeable (with respect to time-current characteristics) with discontinued GE Models 9F1C and 9F51AAN series fuse links.




③ These fuse links are interchangeable mechanically—and with respect to time-current characteristics—with Kearney Type “QA” fuse links.

■ For use in 200-ampere cutouts.

▲ The 1-, 2-, and 3-ampere S&C Standard Speed Positrol Fuse Links meet requirements for coordination with fuse links rated 6K and 6T amperes as specified in ANSI Standard C37.42, and are recommended for use in “K” and “T” Speed fuse-link coordination schemes.

★ For use in 100-ampere cutouts.

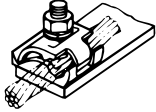
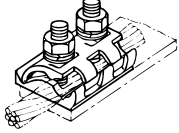
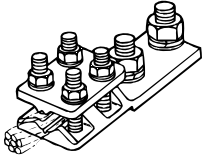
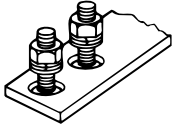
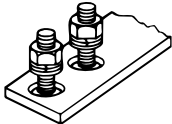
TABLE CONTINUED ►

Fuse Links, Universal Style—Not Usable in Positect®^①							
S&C “N” Speed^② (TCC No. 167-6)		S&C “QR” Speed^③ (TCC No. 166-6)		S&C Coordinating Speed (TCC No. 172-6)			
 29-Inch (737 mm) Overall Length		 29-Inch (737 mm) Overall Length		 23-Inch (584 mm) Overall Length			
Rating, Amperes	Catalog Number	Rating, Amperes	Catalog Number	Rating, Amperes	Catalog Number		
5N	267005R3	1QR 2QR 3QR 5QR	338001 338002 338003 338005				
8N	267008R3	7QR	338007				
10N	267010R3	10QR	338010				
15N 20N	267015R3 267020R3	15QR 20QR	338015 338020				
25N 30N 40N	267025R3 267030R3 267040R3	25QR 30QR 40QR	338025 338030 338040				
45N 50N	267045R3 267050R3	50QR	338050				
		60QR	338060				
65N	267065R3						
75N	267075R3	75QR	338075				
85N 95N 100N	267085R3 267095R3 267100R3	100QR	338100				
						101	179101★
						102	179102★
						103	179103★
125N 150N	267125R3■ 267150R3■	125QR 150QR	355125■ 355150■				
200N	267200R3■	175QR 200QR	355175■ 355200■				

SMU-40® Refill Units				
Rating, Amperes ↓	14.4 kV Nominal, 17.0 kV Max		25 kV Nominal, 29 kV Max	
	Catalog Number		Catalog Number	
Speed →	S&C Std. TCC 115-2		S&C Std. TCC 115-2	
1	822001		823001	
2	822002		823002	
Speed →	S&C Std. TCC 153-2	S&C Slow TCC 119-2	S&C Std. TCC 153-2	S&C Slow TCC 119-2
3E	822003		823003	
5E	822005		823005	
7E	822007		823007	
10E	822010		823010	
13E	822013		823013	
15E	822015	832015	823015	833015
20E	822020	832020	823020	833020
25E	822025	832025	823025	833025
30E	822030	832030	823030	833030
40E	822040	832040	823040	833040
50E	822050	832050	823050	833050
65E	822065	832065	823065	833065
80E	822080	832080	823080	833080
100E	822100	832100	823100	833100
125E	822125	832125	823125	833125
150E	822150	832150	823150	833150
175E	822175	832175	823175	833175
200E	822200	832200	823200	833200
250E	822250	832250	823250	833250
300E	822300	832300	823300	833300
400E	822400	832400	823400	833400

SM-5® Refill Units					
Rating, Amperes ↓	14.4 kV Nominal, 17.0 kV Max		25 kV Nominal, 27 kV Max		
	Catalog Number		Catalog Number		
Speed →	S&C Std. TCC 115-4		S&C Std. TCC 115-4		
1	132001R4		133001R4		
2	132002R4		133002R4		
Speed →	S&C Std. TCC 153-4	S&C Slow TCC 119-4	S&C Coord. TCC 173-4	S&C Std. TCC 153-4	S&C Slow TCC 119-4
3E	132005R4			133005R4	
5E	132007R4			133007R4	
7E	132010R4			133010R4	
10E	132015R4			133015R4	
13E	132020R4			133020R4	
15E	132025R4	262025R4		133025R4	263025R4
20E	132030R4	262030R4		133030R4	263030R4
25E	132040R4	262040R4		133040R4	263040R4
30E	132050R4	262050R4		133050R4	263050R4
40E	132060R4	262060R4		133060R4	263060R4
50E	132075R4	262075R4		133075R4	263075R4
65E	132100R4	262100R4		133100R4	263100R4
80E	132125R4	262125R4		133125R4	263125R4
100E	132150R4	262150R4		133150R4	263150R4
125E	132200R4	262200R4		133200R4	263200R4
150E	132250R4	262250R4		133250R4	263250R4
175E	132275R4	262275R4		133275R4	263275R4
200E	132300R4	262300R4		133300R4	263300R4
250E	132400R4	262400R4		133400R4	263400R4
300E	132500R4	262500R4		133500R4	263500R4
400E	132600R4	262600R4			
410			382410R4■		
420			382420R4■		

■ These S&C Coordinating Speed refill units should be applied where the maximum continuous load current does not exceed 400 amperes and where all fault currents below 3000 amperes for Catalog Number 382410R4 and 4000 amperes for Catalog Number 382420R4 will be cleared by another fuse.

Connectors for Vertical Style Recloser Bypass Disconnects—Three Provided per Recloser Bypass Disconnect			
To Specify Connector Arrangement			Add Catalog Number Suffix
Illustration	Description	Accommodating Conductor	
	Bronze Body, Tin Plated, Single ½–13 × 2¾ Galvanized Steel Bolt. Quantity two 4738 and one 4740R1 ^⑥	No. 2 solid (33.6 mm ²) through 500 kc mil (335 mm ²) stranded copper or aluminum	-C
	Aluminum Alloy Body, Tin Plated, Two ½–13 × 2¾ Galvanized Steel Bolts. Quantity two 4739 and one 4744 ^⑥	No. 2 solid (33.6 mm ²) through 500 kc mil (335 mm ²) stranded copper or aluminum	-A
	Standard Bronze, Tin Plated Pad-Terminal, Four Bolt. Includes ½-inch galvanized steel hardware for attachment to terminal pads of disconnects	No. 6 solid (13.3 mm ²) through 250 kc mil (168 mm ²) copper or aluminum	-N
		1/0 solid (53.5 mm ²) through 500 kc mil (335 mm ²) copper or aluminum	-P
	Provision only for compression connectors. Includes galvanized steel hardware (two ½–13 × 2 bolts per terminal pad). Quantity two 4586 and one 4581 ^{②③④⑥}		-H
	Provision only for compression connectors. Includes stainless-steel hardware (two ½–13 × 2 bolts per terminal pad) ^{②③⑤}		-J

① Disconnects are furnished with tinned terminal pads at the jaw and hinge contacts of the disconnect blade(s) as a standard feature.

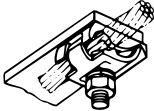
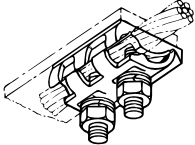
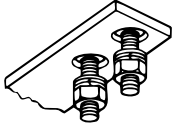
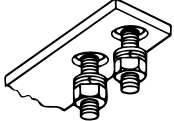
② Accommodates connectors or connector tongues up through ¾-inch thickness.

③ When used with aluminum compression connectors, terminal pads at the jaw contact of the power fuse (or cutout) should be tin plated. See "SPECIFICATION DEVIATIONS" on page 1.

④ Not suitable for hot-line tool handling when used on the terminal pad at the fuse jaw contact of SM-5 and XS Fuse Cutout models since the connector attachment bolts are not held captive.

⑤ Not suitable for hot-line tool handling since connector attachment bolts are not held captive.

⑥ Catalog Numbers 192782, 192782-E, 192783, and 192783-E specifying connector arrangements "-C," "-A," or "-H," are provided with a quantity of three 4738, 4739, or 4586 connectors, respectively.

Connectors for Type RA Recloser Bypass Disconnects—Four Provided per Recloser Bypass Disconnect			
To Specify Connector Arrangement			Add Catalog Number Suffix
Illustration	Description	Accommodating Conductor	
	Bronze Body, Tin Plated. Single ½—13×2½ Galvanized Steel Bolt. Same as Catalog Number 4740R1	No. 2 solid (33.6 mm ²) through 500 kc mil (335 mm ²) stranded copper or aluminum	-C
	Aluminum Alloy Body, Tin Plated, Two ½—13×2¾ Galvanized Steel Bolts. Same as Catalog Number 4741R2	No. 2 solid (33.6 mm ²) through 500 kc mil (335 mm ²) stranded copper or aluminum	-A
	Provision only for compression connectors. Includes two ½—13×2 galvanized steel bolts per terminal pad. Same as Catalog Number 4581		-G
	Provision only for compression connectors. Includes two ½—13×2 stainless-steel bolts per terminal pad		-K

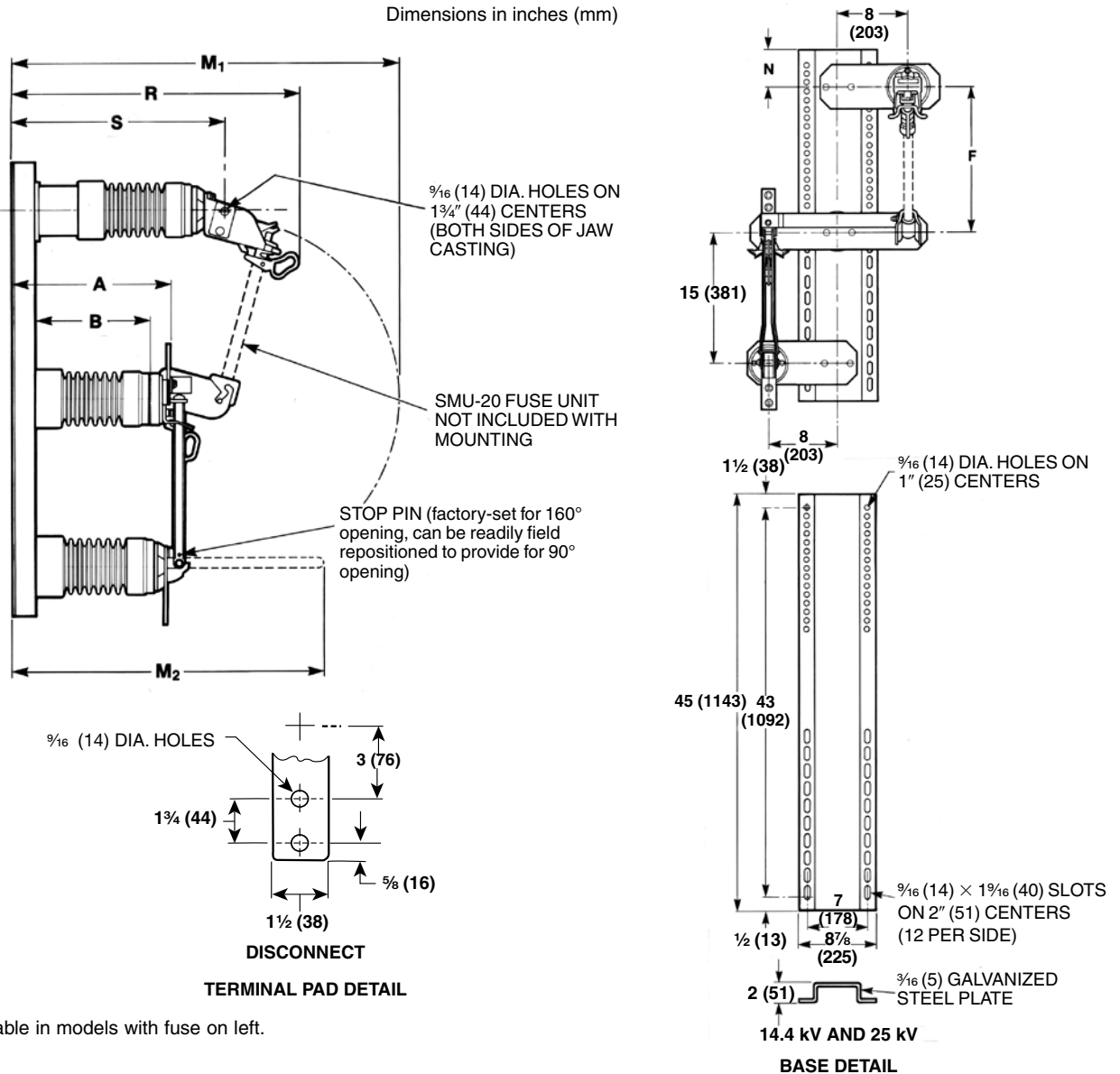
Mounting Bracket Options—For Use with Type RA Recloser Bypass Disconnects	
Item	Add Catalog Number Suffix
Back-up member with 6½" to 8¾" bolt spacing	-D1
Stand-off bracket for mounting directly on pole	-D2

Holders—For use with Recloser Bypass Disconnects Equipped with SM-5 Power Fuses	
Rating, kV	Catalog Number
14.4	86152R2
25	86153R2

Recommended Handling Tools—For Use with Recloser Bypass Disconnects	
Item	Catalog Number
Large Clamp	4410R3
Station Prong	4402R2
Locking Prong	4404
Distribution Prong	4416
Talon™	4440
Universal Pole	■

■ Select to match height of installation. Refer to Specification Bulletin 851-31.

Recloser Bypass Disconnects Rated 14.4 kV and 25 kV with Type SMD-20 Power Fuse (fuse on right, illustrated*)



• Also available in models with fuse on left.

Rating			Catalog Number ^③								Dimensions in Inches (mm)						Net Wt., Lbs. (Kg.)			
kV			Amperes, RMS					Cyproxy Station Post Insulators		Porcelain Station Post Insulators								Cyproxy Station Post Insulators	Porcelain Station Post Insulators	
Nom.	Max	BIL	Switch		Fuse			Fuse on Right	Fuse on Left	Fuse on Right	Fuse on Left	A	B	F	M ₁	M ₂	N			R
			Cont.	Mom. ^① (Asym.)	Max	Interr. ^② (Sym.)														
14.4	15.5	110	600	40 000	200E▲	14 000	192702-E	192712-E	192702	192712	13 3/8 (346)	10 (254)	18 7/8 (479)	36 3/4 (924)	29 7/8 (759)	7 3/4 (197)	28 (711)	20 1/4 (514)	100 (45)	120 (54)
25	27	150	600	40 000	200E▲	12 500	192703-E	192713-E	192703	192713	17 3/8 (448)	14 (356)	22 1/4 (565)	44 1/4 (1124)	33 3/8 (860)	4 3/8 (111)	33 (838)	25 1/8 (638)	110 (50)	150 (68)

① One-second rating: 25,000 amperes, RMS symmetrical; three-second rating: 16,000 amperes, RMS symmetrical.

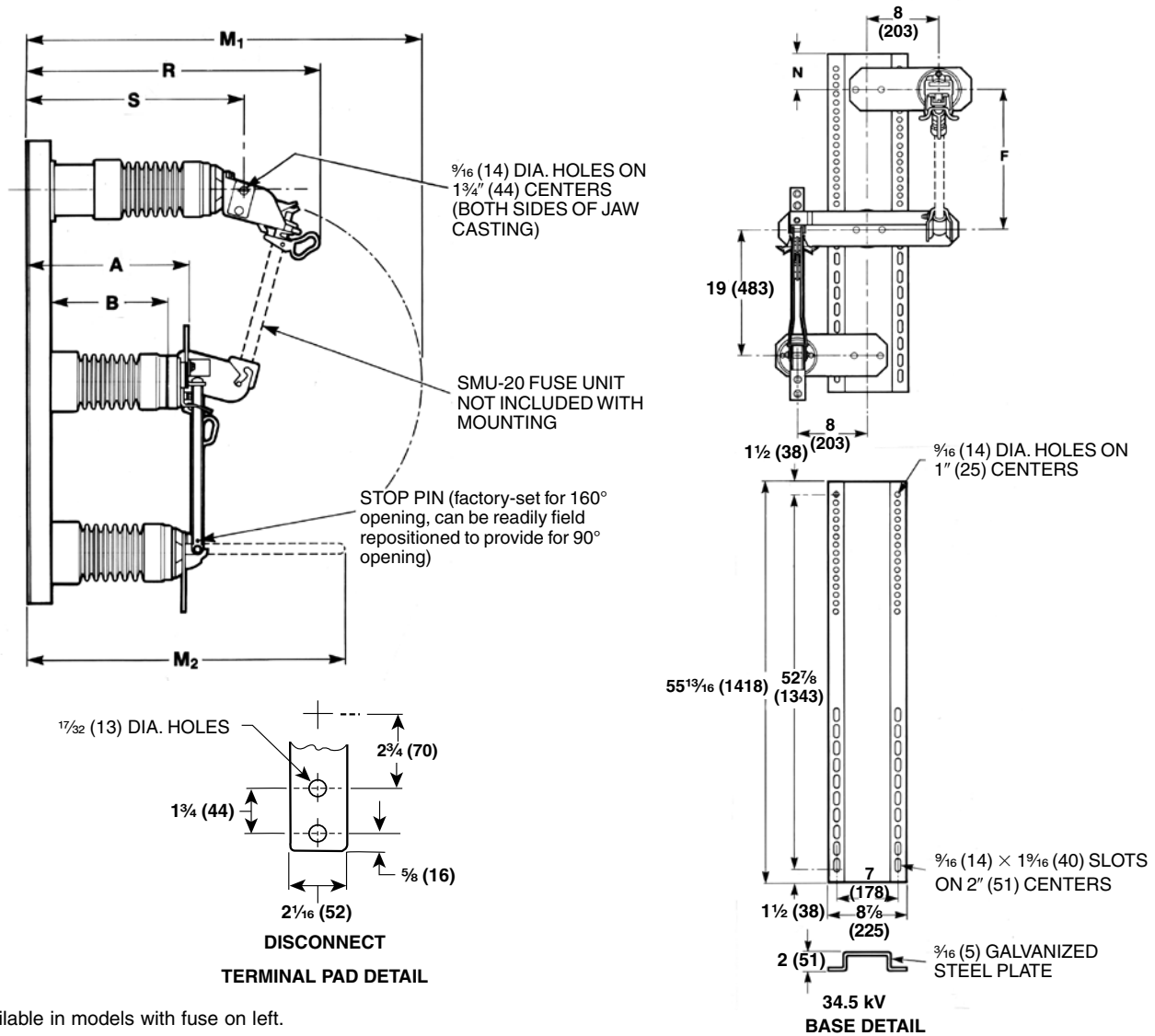
② Symmetrical fuse interrupting ratings assigned to recloser bypass disconnects furnished with SMD-20 Power Fuses are based on available short-circuit current at locations where the X/R ratio is 15; the interrupting ratings expressed in amperes, RMS symmetrical are 1.6 times the symmetrical ratings listed.

③ Includes fuse-unit end fittings. SMU-20 Fuse Units are not included and must be ordered separately. Refer to pages 4 and 5.

▲ SMD-20 Power Fuses accommodate SMU-20 Fuse Units in ratings through 200K as well as 200E amperes.

Recloser Bypass Disconnects Rated 34.5 kV with Type SMD-20 Power Fuse (fuse on right, illustrated)

Dimensions in inches (mm)



• Also available in models with fuse on left.

Rating							Catalog Number ^③				Dimensions in Inches (mm)						Net Wt., Lbs. (Kg.)			
kV			Amperes, RMS				Cypoxy Station Post Insulators		Porcelain Station Post Insulators								Cypoxy Station Post Insulators	Porcelain Station Post Insulators		
Nom.	Max	BIL	Switch	Fuse		Fuse on Right	Fuse on Left	Fuse on Right	Fuse on Left	A	B	F	M ₁	M ₂	N	R			S	
			Cont.	Mom. ^① (Asym.)	Max	Interr. ^② (Sym.)														
34.5	38	200	900	40 000	200E▲	10 000	192704-E	192714-E			22 3/8 (568)	18 3/8 (467)	28 (711)	54 1/4 (1378)	43 3/8 (1102)	4 3/8 (111)	38 1/2 (978)	30 3/4 (781)	140 (64)	
									192704	192714	22 (559)	18 (457)	28 (711)	53 7/8 (1368)	43 (1092)	4 3/8 (111)	38 1/8 (968)	30 3/8 (772)		

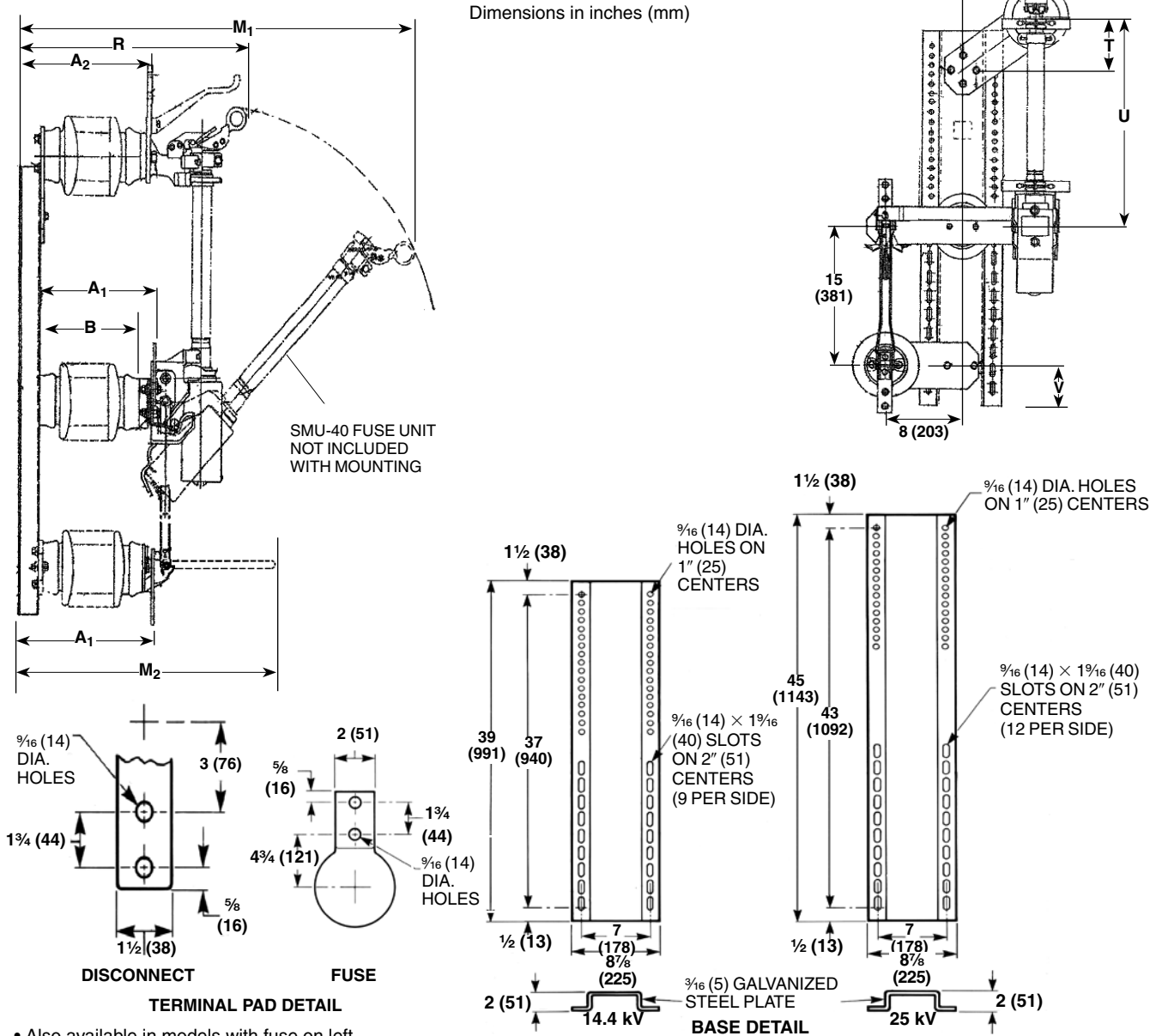
① One-second rating: 25,000 amperes, RMS symmetrical; three-second rating: 16,000 amperes, RMS symmetrical.

② Symmetrical fuse interrupting ratings assigned to recloser bypass disconnects furnished with SMD-20 Power Fuses are based on available short-circuit current at locations where the X/R ratio is 15; the interrupting ratings expressed in amperes, RMS symmetrical are 1.6 times the symmetrical ratings listed.

③ Includes fuse-unit end fittings. SMU-20 Fuse Units are not included and must be ordered separately. Refer to page 5.

▲ SMD-20 Power Fuses accommodate SMU-20 Fuse Units in ratings through 200K as well as 200E amperes.

**Recloser Bypass Disconnects with Type SMD-40 Power Fuse
(fuse on right, illustrated*)**



* Also available in models with fuse on left.

Rating			Catalog Number ^{③④}				Dimensions in Inches (mm)										Net Wt., Lbs. (Kg.)				
kV			Amperes, RMS				Cyproxy Station Post Insulators		Porcelain Station Post Insulators		A ₁	A ₂	B	M ₁	M ₂	R	T	U	V	Cyproxy Station Post Insulators	Porcelain Station Post Insulators
Nom.	Max	BIL	Switch		Fuse		Fuse on Right	Fuse on Left	Fuse on Right	Fuse on Left											
			Cont.	Mom.① (Asym.)	Max	Interr.② (Sym.)															
14.4	15.5	110	600	40 000	400E	25 000	192802-E	192812-E	192802	192812	13 ³ / ₁₆ (346)	13 ³ / ₄ (349)	10 (254)	39 ⁷ / ₈ (1013)	29 ⁷ / ₈ (759)	22 ¹ / ₂ (572)	8 ¹ / ₄ (209)	22 ³ / ₄ (577)	4 ¹ / ₄ (108)	110 (50)	130 (59)
25	27	150	600	40 000	400E	20 000	192803-E	192813-E	192803	192813	17 ⁷ / ₈ (448)	17 ³ / ₄ (451)	14 (356)	46 ¹ / ₄ (1175)	33 ³ / ₈ (860)	26 ¹ / ₂ (673)	5 ¹ / ₂ (139)	26 ¹ / ₄ (666)	4 ¹ / ₂ (114)	120 (54)	160 (73)

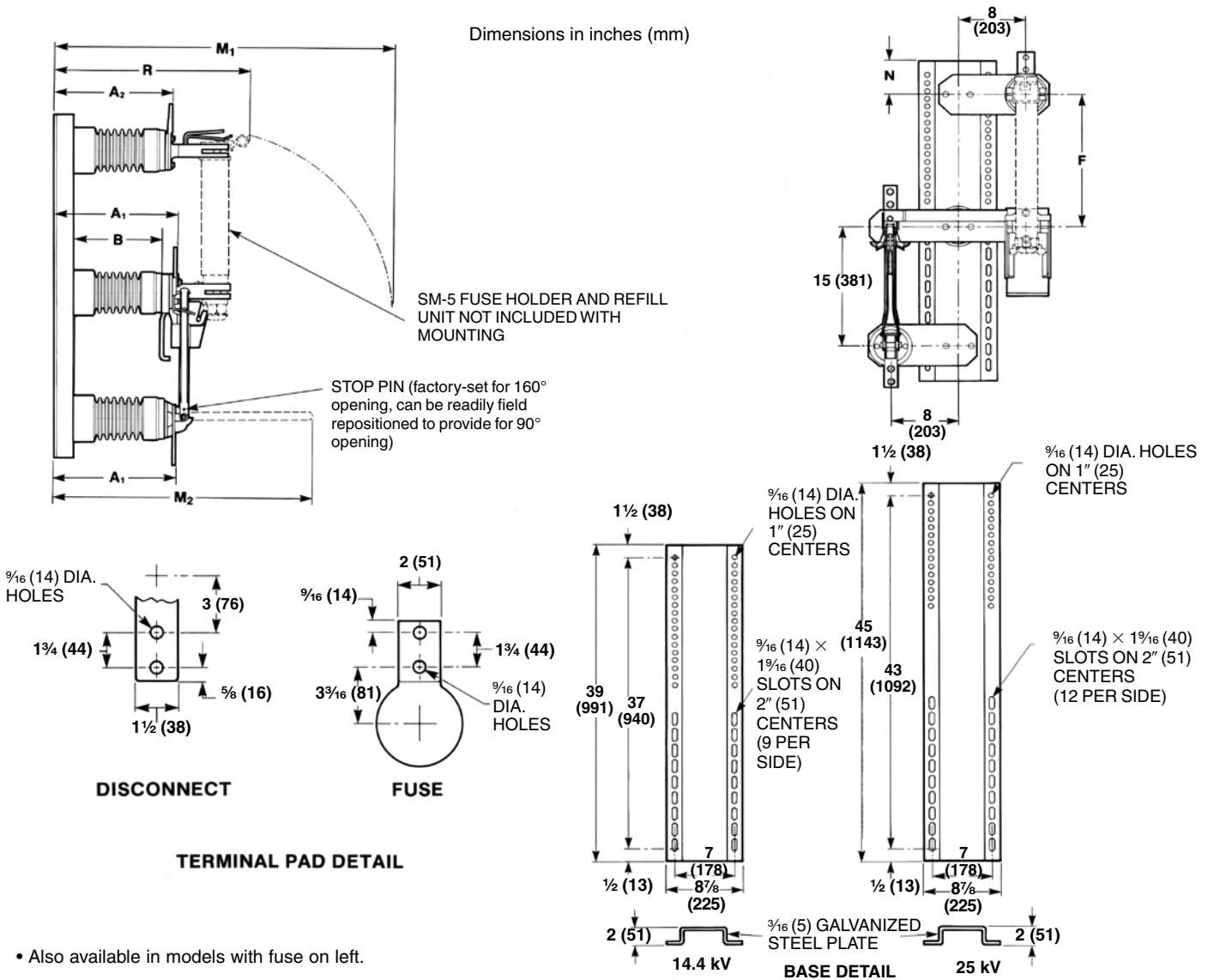
① One-second rating: 25,000 amperes, RMS symmetrical; three-second rating: 16,000 amperes, RMS symmetrical.

② Symmetrical fuse interrupting ratings assigned to recloser bypass disconnects furnished with SMD-40 Power Fuses are based on available short-circuit current at locations where the X/R ratio is 15; the interrupting ratings expressed in amperes, RMS symmetrical are 1.6 times the symmetrical ratings listed.

③ Includes fuse-unit end fittings. SMU-40 Fuse Units are not included and must be ordered separately. Refer to page 8.

④ SMD-40 mountings can be equipped with an optional attachment hook to accommodate Loadbuster®. Specify by adding suffix "LB" to the catalog number.

**Recloser Bypass Disconnects with Type SM-5 Power Fuse
(fuse on right, illustrated*)**



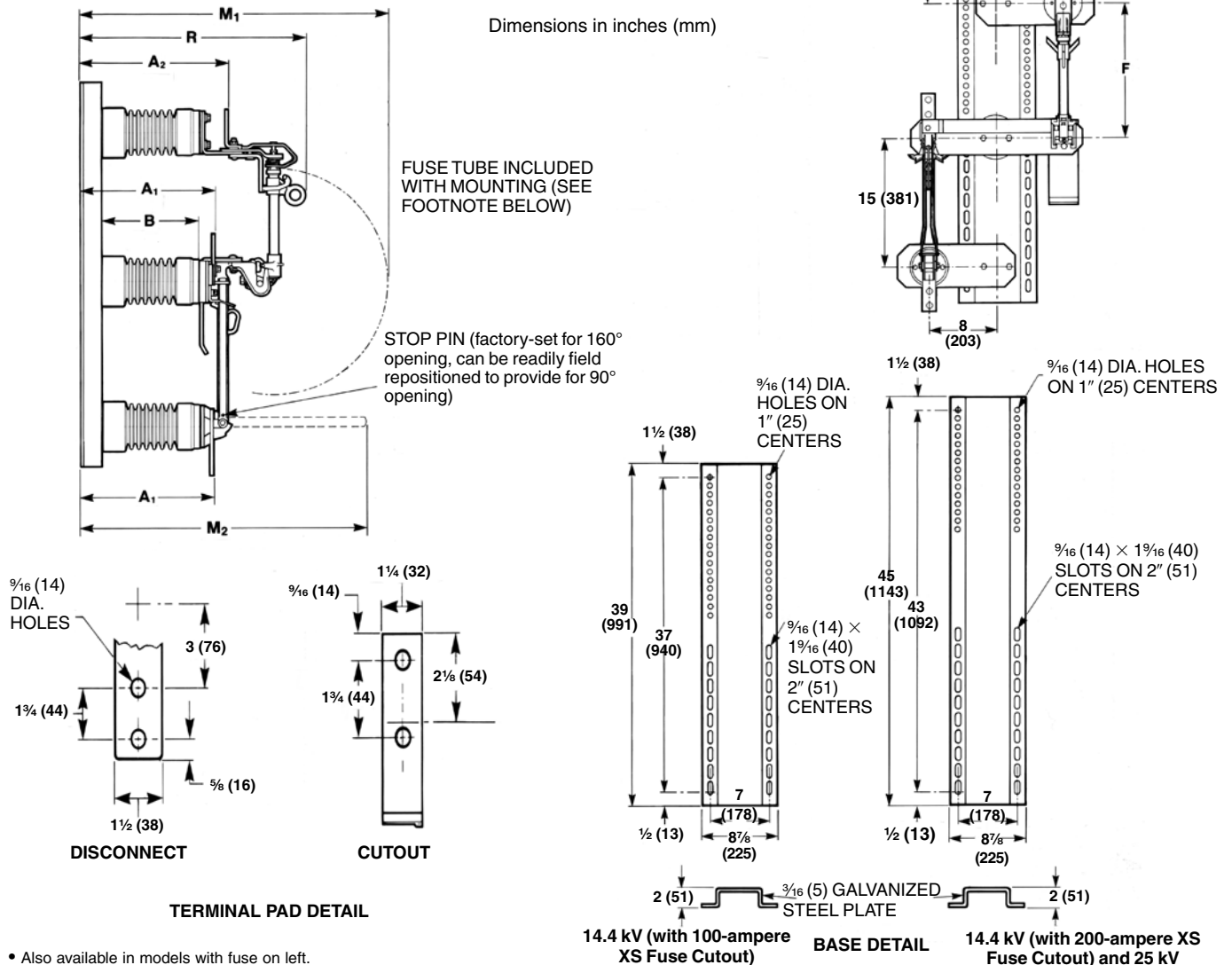
Rating			Catalog Number ^③				Dimensions in Inches (mm)											Net Wt., Lbs. (Kg.)					
kV			Amperes, RMS				Cypoxy Station Post Insulators		Porcelain Station Post Insulators													Cypoxy Station Post Insulators	Porcelain Station Post Insulators
Nom.	Max	BIL	Switch		Fuse		Fuse on Right	Fuse on Left	Fuse on Right	Fuse on Left	A ₁	A ₂	B	F	M ₁	M ₂	N	R					
			Cont.	Mom.① (Asym.)	Max	Interr.② (Sym.)																	
14.4	15.5	110	600	40 000	400E	34 000	192722-E	192732-E	192722	192732	13 3/8 (346)	13 3/8 (346)	10 (254)	16 1/2 (419)	38 3/4 (984)	29 7/8 (759)	4 1/4 (108)	23 3/8 (600)	120 (54)	140 (64)			
25	27	150	600	40 000	300E	20 000	192723-E	192733-E	192723	192733	17 3/8 (448)	17 3/8 (448)	14 (356)	20 3/4 (527)	47 (1194)	33 3/8 (860)	5 7/8 (149)	27 3/8 (695)	130 (59)	170 (77)			

① One-second rating: 25,000 amperes, RMS symmetrical; three-second rating: 16,000 amperes, RMS symmetrical.

② Symmetrical fuse interrupting ratings assigned to recloser bypass disconnects furnished with SM-5 Power Fuses are based on available short-circuit current at locations where the X/R ratio is 15; the interrupting ratings expressed in amperes, RMS symmetrical are 1.6 times the symmetrical ratings listed.

③ SM-5 Holders and SM-5 Refill Units are not included and must be ordered separately. Refer to page 8 for SM-5 Refill Units and page 10 for SM-5 Holders.

**Recloser Bypass Disconnects with XS Fuse Cutout
(fuse on right, illustrated*)**



* Also available in models with fuse on left.

Rating			Catalog Number ^③								Dimensions in Inches (mm)								Net Wt., Lbs. (Kg.)		
kV			Amperes, RMS					Cyproxy Station Post Insulators		Porcelain Station Post Insulators										Cyproxy Station Post Insulators	Porcelain Station Post Insulators
Nom.	Max	BIL	Switch		Fuse			Fuse on Right	Fuse on Left	Fuse on Right	Fuse on Left	A ₁	A ₂	B	F	M ₁	M ₂	N	R		
			Cont.	Mom. ^① (Asym.)	Max	Interr. ^② (Sym.)															
14.4	15	110	600	40 000	100	7 100	192742R1-E	192752R1-E	192742R1	192752R1	13 3/8 (346)	14 1/2 (369)	10 (254)	15 1/2 (394)	29 1/2 (749)	29 7/8 (759)	5 1/4 (133)	22 1/2 (572)	100 (45)	120 (54)	
14.4	15	110	600	40 000	200	7 100	192762R1-E	192772R1-E	192762R1	192772R1	13 3/8 (346)	14 1/2 (369)	10 (254)	19 (483)	33 (838)	29 7/8 (759)	7 7/8 (194)	22 1/2 (572)	100 (45)	120 (54)	
25	27	150	600	40 000	100	5 300	192763R1-E	192773R1-E	192763R1	192773R1	17 7/8 (448)	18 1/2 (470)	14 (356)	19 (483)	37 (940)	33 7/8 (860)	7 7/8 (194)	26 1/2 (673)	110 (50)	150 (68)	
25	27	150	600	40 000	200	5 300	192743R1-E	192753R1-E	192743R1	192753R1	17 7/8 (448)	18 1/2 (470)	14 (356)	19 (483)	37 (940)	33 7/8 (860)	7 7/8 (194)	26 1/2 (673)	110 (50)	150 (68)	

① One-second rating: 25,000 amperes, RMS symmetrical; three-second rating: 16,000 amperes, RMS symmetrical.

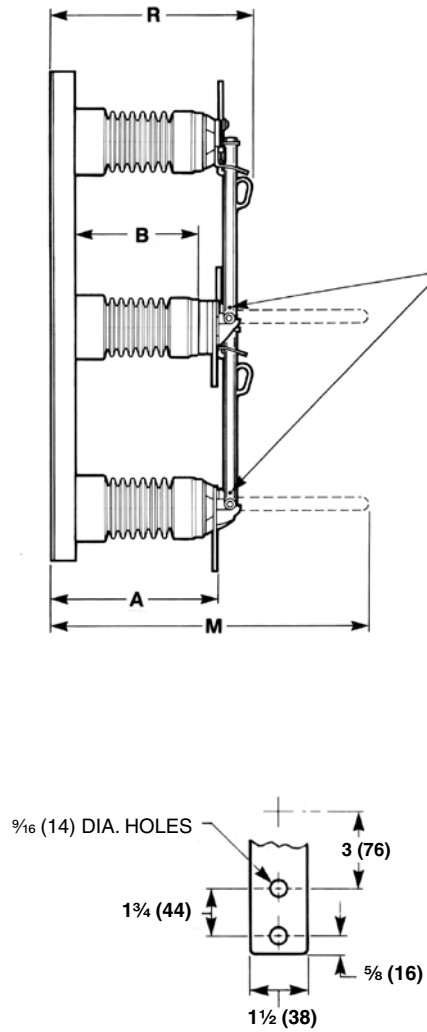
② Symmetrical fuse interrupting ratings assigned to recloser bypass disconnects furnished with Type XS Open Cutouts are based on available short-circuit current at locations where the X/R ratio is 8

(14.4-kV models) or 12 (25-kV models); the RMS asymmetrical interrupting ratings are 10,000 amperes for 14.4-kV models, 8,000 amperes for 25-kV models.

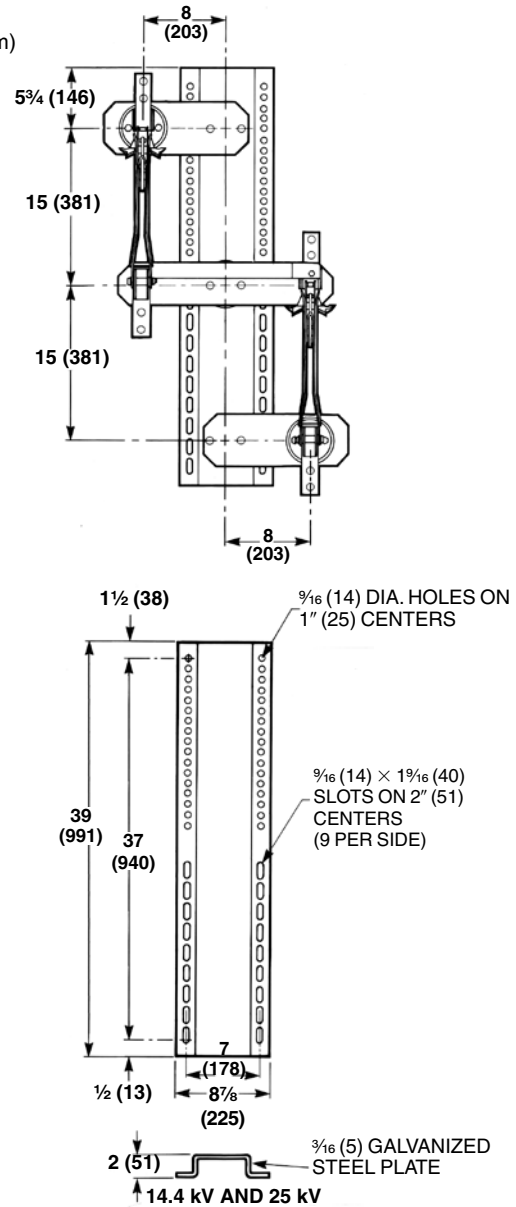
③ Includes fuse tube, refer to page 1. Fuse links are not included and must be ordered separately. Refer to pages 6 and 7.

Recloser Bypass Disconnects with a second Loadbuster Disconnect in place of fuse

Dimensions in inches (mm)



**DISCONNECT
TERMINAL PAD DETAIL**



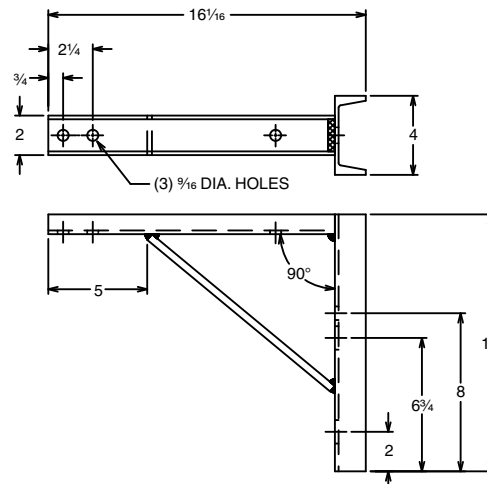
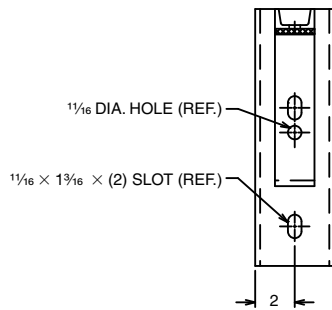
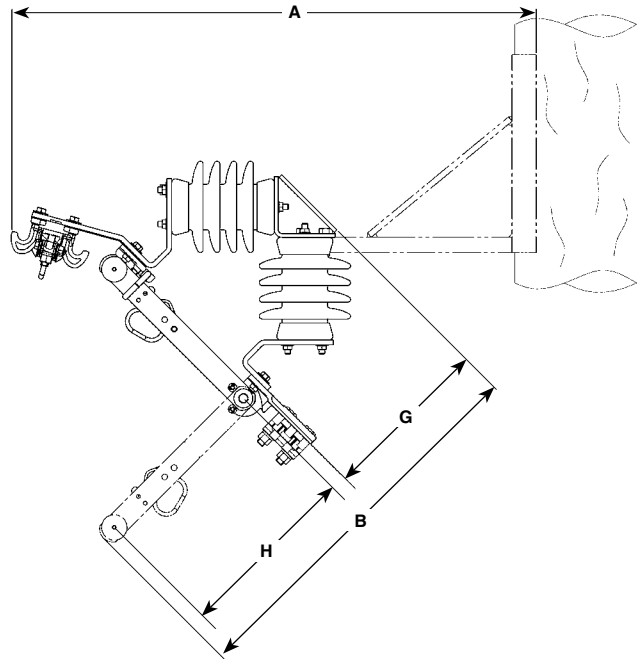
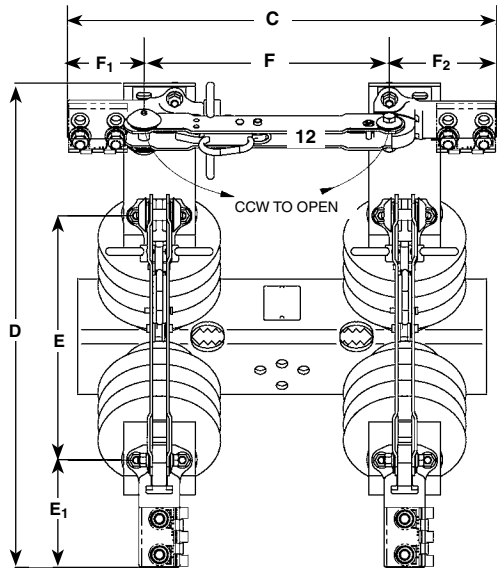
BASE DETAIL

Rating			Amperes, RMS		Catalog Number		Dimensions in Inches (mm)				Net Wt., Lbs. (Kg.)	
kV			Switch		Cypoxy Station Post Insulators	Porcelain Station Post Insulators	A	B	M	R	Cypoxy Station Post Insulators	Porcelain Station Post Insulators
Nom.	Max	BIL	Cont.	Mom. ① (Asym.)								
14.4	15.5	110	600	40 000	192782-E	192782	13 5/8 (346)	10 (254)	29 7/8 (759)	16 3/4 (425)	100 (45)	120 (54)
25	27	150	600	40 000	192783-E	192783	17 5/8 (448)	14 (356)	33 7/8 (860)	20 3/4 (527)	110 (50)	150 (68)

① One-second rating: 25,000 amperes, RMS symmetrical; three-second rating: 16,000 amperes, RMS symmetrical.

Recloser Bypass Disconnects — Type RA

Dimensions in inches (mm)



Ratings					Leakage Distance to Ground, Minimum, Inches (mm)	Catalog Number				Dimensions in Inches (mm)										Net Wt., Lbs. (Kg.)		
kV		Amperes, RMS				Cyproxy Insulators	Porcelain Station Post Insulators		A	B	C	D	E	E ₁	F	F ₁	F ₂	G	H	Cyproxy Station Post Insulators	Porcelain Station Post Insulators	
Nom.	Max	BIL	Cont.	Mom., Asym. ①			Clockwise Blade Opening	Counter-Clockwise Blade Opening														Clockwise Blade Opening
14.4	15.5	110	900	40 000	14.2 (361)	192522-E	192532-E	192522	192532	34 1/2 (876)	25 3/16 (640)	21 (533)	23 1/4 (602)	11 1/8 (303)	5 1/4 (133)	12 (305)	3 3/4 (95)	5 1/4 (133)	11 3/8 (284)	12 (305)	98 (45)	98 (45)
25	27	125▲	900	40 000	24.2 (615)	192523-E	192533-E	192523	192533	35 3/4 (908)	28 3/8 (721)	24 (610)	26 3/4 (679)	15 (381)	5 1/4 (133)	13 1/2 (343)	5 1/4 (133)	5 1/4 (133)	11 1/2 (292)	14 29/32 (379)	98 (45)	98 (45)

① For disconnects rated 900 amperes continuous, the 3-second rating is 25,000 amperes RMS symmetrical.

▲ These disconnects equipped with Cyproxy Insulators meet requirements for 150-kV BIL rating.

