

Specifications

Conditions of Sale

STANDARD: The seller's standard conditions of sale set forth in Price Sheet 150 apply, except as modified under "WARRANTY QUALIFICATIONS" on page 2.

SPECIAL TO THIS PRODUCT:

INCLUSIONS:

SMD-20 and SMD-40 Mountings

Complete mountings include fuse unit end-fittings. Fuse unit end-fittings for SMD-40 Power Fuses include a silencer.

A choice of connector arrangements is available with complete mountings, as listed in Table 8 on page 17. Specify the connector arrangement desired by adding the appropriate suffix letter to the catalog number of the selected mounting.

Each overhead—pole-top style SMD-20 mounting includes a mounting bracket and hardware.

EXCLUSIONS:

SMD-20 and SMD-40 Mountings

Mountings do not include fuse units.

SM-4 and SM-5 Mountings

Complete mountings and live parts do not include holders, refill units, or connectors.

Various connectors are available as listed in Table 9 on page 17. Specify the quantity and catalog number of the connectors desired.

SPECIFICATION DEVIATIONS:

SMD-20 and SMD-40 Mountings

Live parts are not available separately for SMD-20 and SMD-40 Power Fuses.

Station-style SMD-20 and SMD-40 Mountings are offered with a choice of Cypoxy™ Insulator● or porcelain station post insulators.

The standard insulator color is gray. When mountings are to be provided with special insulators, consult the nearest S&C Sales Office for availability.

Station-style mountings (except station—right-angle style) can be supplied less insulators; add suffix "-Z1" to the catalog number.

Station-style mountings (except station—right-angle style) of a given voltage rating can be provided with insulators of the next *lower* voltage rating—add suffix "-Z2" to the catalog number, or the next *higher* voltage rating—add suffix "-Z3" to the catalog number.■

Station-style mountings cannot be supplied without bases.

Station-style mountings (except station—right-angle style) can be supplied with tin-plated terminal pads. To specify, add suffix "-Z5" to the catalog number.

Overhead—pole-top style SMD-20 mountings cannot be supplied without insulators.

SM-4 and SM-5 Mountings

SM-4 and SM-5 mountings are offered with a choice of Cypoxy Insulators or porcelain station post insulators.

The standard insulator color is gray. When mountings are to be provided with special insulators, consult the nearest S&C Sales Office for availability.

Mountings can be supplied without insulators; add suffix "-Z1" to the catalog number.

Mountings of a given voltage rating can be provided with insulators of the next *lower* voltage rating—add suffix "-Z2" to the catalog number, or the next *higher* voltage rating—add suffix "-Z3" to the catalog number.■

Mountings can be supplied without bases but with insulators; add suffix "-Z4" to the catalog number.

Mountings can be supplied with tin-plated terminal pads. To specify, add suffix "-Z5" to the catalog number. Disconnect-style parallel SM-5 Power Fuses are furnished with aluminum terminal pads as a standard feature.

● Cypoxy is the S&C trademark for S&C's cycloaliphatic epoxy resin system. Cypoxy Insulators are nontracking, self-scouring, nonweathering; there's never a compromise of insulation integrity. Cypoxy station post insulators meet or exceed the electrical and mechanical-strength requirements established in ANSI Standard C29.9 (1983) for porcelain standard-strength station post insulators.

■ Mountings rated 4.8 kV or 7.2 kV cannot be provided with lower-rated insulators. Fuse mountings rated 14.4 kV provided with insulators of the next lower voltage rating will be furnished with porcelain station post insulators rated 7.2 kV, T.R. No. 202. Fuse mountings rated 34.5 kV provided with insulators of the next higher voltage rating will be furnished with porcelain station post insulators rated 46 kV, T.R. No. 214.

★ Types SM and SMD Power Fuses are manufactured in accordance with a quality system certified to ISO 9001:2000, and they are Rural Utilities Service (RUS) accepted.



Conditions of Sale—Continued

WARRANTY QUALIFICATIONS:

SMD-20 and SMD-40 Mountings

The standard warranty contained in the seller's standard conditions of sale (as set forth in Price Sheet 150) does not apply to SMD-20 or SMD-40 mountings when installed in conjunction with fuse units or end-fittings not manufactured by S&C nor does it apply to S&C fuse units or end-fittings installed in mountings not manufactured by S&C.

SM-4 and SM-5 Mountings

For the standard warranty contained in the seller's standard conditions of sale (as set forth in Price Sheet 150) to apply to live parts when ordered separately, the live parts must be assembled on mountings in accordance with S&C Instruction Sheet 252-505.

The standard warranty contained in the seller's standard conditions of sale (as set forth in Price Sheet 150) does not apply to SM Mountings when installed in conjunction with fuses not manufactured by S&C.

How to Order a Complete Power Fuse

Types SMD-20 and SMD-40

1. Obtain the catalog number of the desired mounting from Table 1 on pages 4 and 5. Note: Live parts for SMD-20 or SMD-40 Power Fuses cannot be ordered separately.
2. Obtain the catalog number of the applicable SMU-20® or SMU-40® Fuse Unit from Tables 4 and 5 on pages 8 through 11, taking care to match the voltage rating of the fuse unit to that of the mounting.
3. Select the desired connector arrangement from Table 8 on page 17. Add the indicated suffix letter to the catalog number of the mounting selected in Step 1 above.
4. Obtain the catalog number of desired conversion kits, parts, and maintenance supplies from Tables 10, 11, and 12 listed on page 18.

Example: The complete catalog number of a 14.4-kV Overhead Pole-Top Style SMD-20 Mounting with polymer insulators and with parallel groove connectors is 92142R3-PD. Add catalog number 612065 for each 14.4-kV, S&C Standard Speed (TCC 153-2), 65E-rated SMU-20 Fuse Unit.

How to Order Handling Tools

Obtain the catalog number(s) of recommended handling tool(s) from Table 13 on page 18. Refer to Specification Bulletin 851-31.

Types SM-4 and SM-5

1. Obtain the catalog number of the desired mounting from Table 2 on page 6. If only live parts are desired, refer to Table 14 on page 19.
2. Obtain the catalog number of the applicable holder from Table 2 on page 6, reading from the same line in which the selected mounting is listed.
3. Obtain the catalog number of the applicable refill unit from Table 6 and 7 on pages 12 through 16, taking care to match the voltage rating of the refill unit to that of the mounting. Note: For each mounting rated 720E amperes, order two holders and two refill units.
4. Obtain the catalog number of the desired connector from Table 9 on page 17. Order two connectors for each mounting or set of live parts.
5. Obtain the catalog number of desired parts from Table 15 listed on page 19.

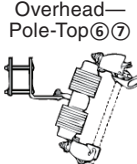
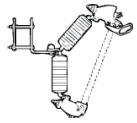
Example: The complete catalog number for a 14.4-kV Disconnect 180° Opening Vertical Style SM-4 Mounting with porcelain station post insulators is 190502R1. If choosing a holder, also include catalog number 86052. Add catalog number 122025R4 for each 14.4-kV, S&C Standard Speed (TCC 153-4), 15E-rated SM-4® Refill Unit. To accommodate No. 2 solid (33.6 mm²) through 500 kc mil (335 mm²) stranded copper or aluminum conductors on the upper and lower terminal pads of the mounting, add connector catalog numbers 4741R2 and 4746.

How to Order Handling Tools

Obtain the catalog number(s) of recommended handling tools(s) from Table 16 on page 19. Refer to Specification Bulletin 851-31.

Types SM-4, SM-5, SMD-20, and SMD-40 Power Fuses

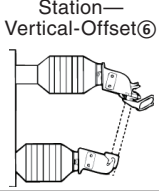
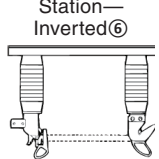
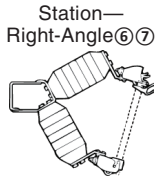
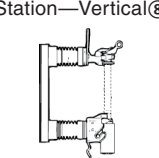
Table 1. SMD-20 and SMD-40 Mountings—Less Connectors^{①②}

Style	Type	Rating					Leakage Distance to Ground, Minimum, Inches (mm)		Mounting (including Live Parts and End Fittings, less Connectors ^⑤)		Page Reference for Dimensional Information
		kV			Amperes, RMS, Sym. ^③		Polymer Insulators	Porcelain Insulators	Polymer Insulators Catalog Number	Porcelain Insulator Catalog Number	
		Nom.	Max	BIL	Max ^④	Interrupting					
 Overhead—Pole-Top ^{⑥⑦}	SMD-20	14.4	17.0	125	200	14 000	—	11 (279)	—	92122R3■	20
		14.4	17.0	150	200	14 000	26½ (673)	17 (432)	92142R3-P■	92142R3■	20
		25●	27	150	200	12 500	—	17 (432)	—	92123R3■	20
		25●	27	150	200	12 500	37½ (953)	26 (660)	92123R3-P■	92143R3■▲	20
 Overhead—Pole-Top ^{⑥⑦}	SMD-20	34.5	38	200	200	10 000	—	25½ (648)	—	92544R3■	21

- ① For available connector arrangements, refer to Table 8 on page 17.
- ② SMD-20 and SMD-40 Live Parts are not available separately.
- ③ Symmetrical ratings assigned are based on available short-circuit current at locations where the X/R ratio is 15. The interrupting ratings expressed in amperes, RMS, asymmetrical are 1.6 times the symmetrical ratings listed. Higher symmetrical ratings have been determined for SMD-20 Power Fuses where X/R = 10 and X/R = 5. These higher ratings as well as asymmetrical ratings are given in S&C Descriptive Bulletin 242-32.
- ④ SMU-20 Fuse Units for use in SMD-20 mountings are available in ratings through 200K amperes as well as 200E amperes and 20 DR.
- ⑤ Specify connectors, if desired, by adding the appropriate suffix

- letter to the catalog number. For example, “SMD-20 Outdoor Distribution Power Fuse Mounting, Station—Vertical-Offset Style, catalog number 192222R2-L.” (See Table 8 on page 17.)
- ⑥ All SMD-20 mountings are equipped with an attachment hook to accommodate Loadbuster® – The S&C Loadbreak Tool.
- ⑦ Connectors must be specified for Overhead—Pole-Top Style and Right-Angle Style SMD-20 mountings. Refer to Table 8 on page 17.
- Also suitable for protection of single-phase-to-neutral circuits (lines or transformers) on 20/34.5 GrY-kV systems.
- For provisions only for NEMA pad-terminal connectors or two-hole compression connectors, add suffix “-G” to catalog number.
- ▲ Meets 170 kV BIL rating requirement of IEC Publication 282-2.

Table 1. SMD-20 and SMD-40 Mountings—Less Connectors^{①②}—Continued

Style	Type	Rating					Leakage Distance to Ground, Minimum, Inches (mm)	Catalog Number of Mounting (Including Live Parts and End Fittings, less Connectors ^⑤)		Page Reference for Dimensional Information
		kV			Amperes, RMS, Sym. ^③			Cypoxy Station Post Insulators	Porcelain Station Post Insulators	
		Nom.	Max	BIL	Max ^④	Inter-rupting				
 Station—Vertical-Offset ^⑥	SMD-20	14.4 25 34.5	17.0 27 38	110 150 200	200 200 200	14 000 12 500 10 000	15½ (394) 24 (610) 37 (940)	192222R2-E 192223R2-E 192504-E	192222R2 192223R2 192504	22 22 22
 Station—Inverted ^⑥	SMD-20	14.4 25 34.5	17.0 27 38	110 150 200	200 200 200	14 000 12 500 10 000	15½ (394) 24 (610) 37 (940)	192292-E 192293-E 192294-E	192292 192293 192294	23 23 23
 Station—Right-Angle ^{⑥⑦}	SMD-20	14.4 25 34.5	17.0 27 38	110 150 200	200 200 200	14 000 12 500 10 000	15½ (394) 24 (610) 37 (940)	192232R3-E● 192233R3-E● 192234R3-E●	192232R3● 192233R3● 192234R3●	24 24 24
 Station—Vertical ^⑥	SMD-40	4.8 14.4 25	5.5 17.0 29	95 110 150	400E 400E 400E	25 000 25 000 20 000	15½ (394)■ 15½ (394) 24 (610)	192320 192322 192323	192320-SP 192322-SP 192323-SP	25 25 25

① For available connector arrangements, refer to the Table 8 on page 17.

② SMD-20 and SMD-40 Live Parts are not available separately.

③ Symmetrical ratings assigned are based on available short-circuit current at locations where the X/R ratio is 15. The interrupting ratings expressed in amperes, RMS, asymmetrical are 1.6 times the symmetrical ratings listed. Higher symmetrical ratings have been determined for SMD-20 Power Fuses where X/R = 10 and X/R = 5. These higher ratings as well as asymmetrical ratings are given in S&C Descriptive Bulletin 242-32.

④ SMU-20 Fuse Units for use in SMD-20 mountings are available in ratings through 200K amperes as well as 200E amperes and 20 DR.

⑤ Specify connectors, if desired, by adding the appropriate suffix letter to the catalog number. For example, “SMD-20 Outdoor Distribution Power Fuse Mounting, Station—Vertical-Offset Style, Catalog Number 192222R2-L.” (See Table 8, page 17.)

⑥ All SMD-20 mountings are equipped with an attachment hook to accommodate Loadbuster® – The S&C Loadbreak Tool.

⑦ Connectors must be specified for Overhead—Pole-Top Style and Right-Angle Style SMD-20 mounting. Refer to Table 8 on page 17.

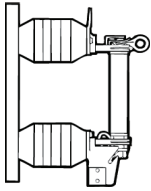
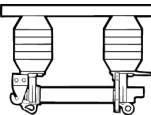
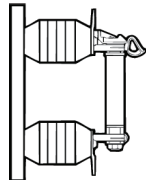
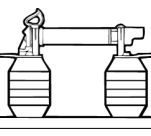
⑧ SMD-40 mountings can be equipped with an optional attachment hook to accommodate the Loadbuster tool. Specify by adding suffix “-LB” to the catalog number of the SMD-40 mounting.

● For provisions only for NEMA pad-terminal connectors or two-hole compression connectors, add suffix “-G” to the catalog number.

■ Mounting includes 14.4-kV/110-kV BIL Cypoxy station post insulators. Leakage distance to ground is 10½ inches (267 mm) for mountings with 95-kV BIL porcelain station post insulators; i.e., catalog number 192320-SP.

Types SM-4, SM-5, SMD-20, and SMD-40 Power Fuses

Table 2. SM Mountings and Holders—Less Refill Units

Style	Type	Rating					Catalog Number			Page Reference for Dimensional Information	
		kV			Amperes, RMS, Sym. ①		Mounting ② (Including Live Parts, less Connectors ③ less Holder)		Holder ④		
		Nom.	Max	BIL	Max	Interrupting	Cypoxy Station Post Insulators	Porcelain Station Post Insulators			
	SM-4	7.2	8.3	95	200E	15 600	190501R1-E▲	190501R1	86051	26	
		14.4	17.0	110	200E	12 500	190502R1-E	190502R1	86052	26	
		25	27	150	200E	9 400	190503R1-E	190503R1	86053	26	
		34.5	38	150	200E	6 250	—	190054	86054	26	
		34.5	38	200	200E	6 250	190504R1-E	190504R1	86054	26	
	SM-5	7.2	8.3	95	400E	26 000	190601R2-E▲	190601R2	86151R2	27	
		7.2	8.3	95	720E	26 000	190561R3-E▲	190561R3	86151R2▼	28	
		14.4	17.0	110	400E	34 000●	190602R2-E	190602R2	86152R2	27	
		14.4	17.0	110	720E	25 000■	190562R3-E	190562R3	86152R2▼	28	
		25	27	150	300E	20 000	190603R2-E	190603R2	86153R2	27	
	SM-5	7.2	8.3	95	400E	26 000	190801R2-E▲	190801R2	86191R2	29	
		14.4	17.0	110	400E	34 000●	190802R2-E	190802R2	86192R2	29	
		25	27	150	300E	20 000	190803R2-E	190803R2	86193R2	29	
		34.5	38	150	300E	17 500	—	190084	86194R2	29	
		34.5	38	200	300E	17 500	190804R2-E	190804R2	86194R2	29	
		SM-4	7.2	8.3	95	200E	15 600	190301R1-E▲◆	190301R1◆	86041	
			14.4	17.0	110	200E	12 500	190302R1-E◆	190302R1◆	86042	
			25	27	150	200E	9 400	190303R1-E◆	190303R1◆	86043	
			34.5	38	150	200E	6 250	—	190034◆	86044	
			34.5	38	200	200E	6 250	190304R1-E◆	190304R1◆	86044	
SM-5		7.2	8.3	95	400E	26 000	190401R2-E▲◆	190401R2◆	86141R2		
		14.4	17.0	110	400E	34 000●	190402R2-E◆	190402R2◆	86142R2		
		25	27	150	300E	20 000	190403R2-E◆	190403R2◆	86143R2		
		34.5	38	150	300E	17 500	—	190044◆	86144R2		
		34.5	38	200	300E	17 500	190404R2-E◆	190404R2◆	86144R2		
	SM-4	7.2	8.3	95	200E	15 600	190301R1-E▲◆	190301R1◆	86281◆		
		14.4	17.0	110	200E	12 500	190302R1-E◆	190302R1◆	86282		
		25	27	150	200E	9 400	190303R1-E◆	190303R1◆	86283		
		34.5	38	150	200E	6 250	—	190034◆	86284◆		
		34.5	38	200	200E	6 250	190304R1-E◆	190304R1◆	86284◆		
	SM-5	7.2	8.3	95	400E	26 000	190401R2-E▲◆	190401R2◆	86381R2		
		14.4	17.0	110	400E	34 000●	190402R2-E◆	190402R2◆	86382R2		
		25	27	150	300E	20 000	190403R2-E◆	190403R2◆	86383R2		
		34.5	38	150	300E	17 500	—	190044◆	86384R2		
		34.5	38	200	300E	17 500	190404R2-E◆	190404R2◆	86384R2		

① Symmetrical ratings assigned are based on available short-circuit current at locations where the X/R ratio is 15. The interrupting ratings expressed in amperes, RMS asymmetrical are 1.6 times the symmetrical ratings listed. Higher symmetrical ratings have been determined for these fuses applied at lower system voltages and in locations where X/R = 10 and X/R = 5. These higher ratings as well as asymmetrical ratings are given in S&C Descriptive Bulletin 242-30.

② For live parts furnished separately, refer to Table 14 on page 19.

③ For available connectors, refer to Table 9 on page 17.

④ Holder does not carry a snuffler or silencer.

⑤ All SM-4 mountings in the Disconnect 180° Opening Vertical Style can be equipped with an attachment hook to accommodate Load-buster® – The S&C Loadbreak Tool. Specify by adding suffix “-LB” to the catalog number of the mounting.

● 60-hertz rating. For systems rated above 15.5 kV through 17.0 kV, the interrupting rating is 25,000 amperes, RMS symmetrical, 50/60 hertz.

■ 60-hertz rating.

▲ Mounting includes 14.4-kV/110-kV BIL Cypoxy station post insulators.

◆ Product discontinued.

▼ Two holders required with each mounting.

Table 3. Switch Blades

Item	Rating			Catalog Number
	kV		Amperes, Cont.	
	Nom.	Max		
Switch blades, for use instead of SM-4 Holders in Disconnect 180° Opening Vertical Style SM-4 mountings	7.2	7.2	200	3231
	14.4	17	200	3232
	25	27	200	3233
	34.5	38	200	3234
Switch blades, for use instead of SM-5 Holders in Disconnect 180° Opening Vertical Style SM-5 mountings	7.2	7.2	400	3241
	14.4	17	400	3242
	25	27	300	3243
	34.5	38	300	3244
Switch blades, for use instead of SMU-20 Fuse Units in all styles except Station—Inverted SMD-20 mountings	14.4	17	200	3252
	25	27	200	3253
	34.5	38	200	3254

Types SM-4, SM-5, SMD-20, and SMD-40 Power Fuses

Table 4. SMU-20® Fuse Units (For use in SMD-20 Mountings)

14.4 kV Nominal, 17.0 kV Max							
"K" Ratings		"E" Ratings				"DR" Ratings	
Rating, Amperes ↓	Catalog Number	Rating, Amperes ↓	Catalog Number			Rating, Amperes ↓	Catalog Number
Speed →	S&C "K" TCC 165-2	Speed →	S&C Std. TCC 115-2			Speed →	S&C "DR" TCC 175-2
		1	702001				
		Speed →	S&C Std. TCC 153-2	S&C Slow TCC 119-2	S&C Very Slow TCC 176-2		
3K	702003					3DR	622003
6K	702006	5E	612005			4DR	622004
8K	702008	7E	612007			5DR	622005
10K	702010	10E	612010			7DR	622007
12K	702012	13E	612013			10DR	622010
15K	702015	15E	612015	712015		15DR	622015
20K	702020	20E	612020	712020		20DR	622020
25K	702025	25E	612025	712025			
30K	702030	30E	612030	712030			
40K	702040	40E	612040	712040			
50K	702050	50E	612050	712050	602050		
65K	702065	65E	612065	712065	602065		
80K	702080	80E	612080	712080	602080		
100K	702100	100E	612100	712100	602100		
140K	702140	125E	612125	712125	602125		
200K	702200	150E	612150	712150	602150		
		175E	612175	712175	602175		
		200E	612200	712200	602200		

Types SM-4, SM-5, SMD-20, and SMD-40 Power Fuses

Table 4. SMU-20® Fuse Units (For use in SMD-20 Mountings)—Continued

25 kV Nominal, 27 kV Max ^①							
“K” Ratings		“E” Ratings				“DR” Ratings	
Rating, Amperes ↓	Catalog Number	Rating, Amperes ↓	Catalog Number			Rating, Amperes ↓	Catalog Number
Speed →	S&C “K” TCC 165-2	Speed →	S&C Std. TCC 115-2			Speed →	S&C “DR” TCC 175-2
		1	703001				
		Speed →	S&C Std. TCC 153-2	S&C Slow TCC 119-2	S&C Very Slow TCC 176-2		
3K	703003					3DR	623003
6K	703006	5E	613005			4DR	623004
8K	703008	7E	613007			5DR	623005
10K	703010	10E	613010			7DR	623007
12K	703012	13E	613013			10DR	623010
15K	703015	15E	613015	713015		15DR	623015
20K	703020	20E	613020	713020		20DR	623020
25K	703025	25E	613025	713025			
30K	703030	30E	613030	713030			
40K	703040	40E	613040	713040			
50K	703050	50E	613050	713050	603050		
65K	703065	65E	613065	713065	603065		
80K	703080	80E	613080	713080	603080		
100K	703100	100E	613100	713100	603100		
140K	703140	125E	613125	713125	603125		
200K	703200	150E	613150	713150	603150		
		175E	613175	713175	603175		
		200E	613200	713200	603200		

^① Also suitable for protection of single-phase-to-neutral circuits (lines or transformers) on 20/34.5 GrY-kV systems.

Types SM-4, SM-5, SMD-20, and SMD-40 Power Fuses

Table 4. SMU-20® Fuse Units (For use in SMD-20 Mountings)—Continued

34.5 kV Nominal, 38 kV Max							
“K” Ratings		“E” Ratings				“DR” Ratings	
Rating, Amperes ↓	Catalog Number	Rating, Amperes ↓	Catalog Number			Rating, Amperes ↓	Catalog Number
Speed →	S&C “K” TCC 165-2	Speed →	S&C Std. TCC 115-2			Speed →	S&C “DR” TCC 175-2
		1	704001				
		Speed →	S&C Std. TCC 153-2	S&C Slow TCC 119-2	S&C Very Slow TCC 176-2		
3K	704003					3DR	624003
6K	704006	5E	614005			4DR	624004
8K	704008	7E	614007			5DR	624005
10K	704010	10E	614010			7DR	624007
12K	704012	13E	614013			10DR	624010
15K	704015	15E	614015	714015		15DR	624015
20K	704020	20E	614020	714020		20DR	624020
25K	704025	25E	614025	714025			
30K	704030	30E	614030	714030			
40K	704040	40E	614040	714040			
50K	704050	50E	614050	714050	604050		
65K	704065	65E	614065	714065	604065		
80K	704080	80E	614080	714080	604080		
100K	704100	100E	614100	714100	604100		
140K	704140	125E	614125	714125	604125		
200K	704200	150E	614150	714150	604150		
		175E	614175	714175	604175		
		200E	614200	714200	604200		

① Also suitable for protection of single-phase-to-neutral circuits (lines or transformers) on 20/34.5 GrY-kV systems.

Types SM-4, SM-5, SMD-20, and SMD-40 Power Fuses

Table 5. SMU-40® Fuse Units (For use in SMD-40 Mountings)

Rating, Amperes ↓	4.8 kV Nominal, 5.5 kV Max		14.4 kV Nominal, 17.0 kV Max		25 kV Nominal, 29 kV Max	
	Catalog Number		Catalog Number		Catalog Number	
Speed →	S&C Std. TCC 115-2		S&C Std. TCC 115-2		S&C Std. TCC 115-2	
1 2	820001 820002		822001 822002		823001 823002	
Speed →	S&C Std. TCC 153-2	S&C Slow TCC 119-2	S&C Std. TCC 153-2	S&C Slow TCC 119-2	S&C Std. TCC 153-2	S&C Slow TCC 119-2
3E	820003		822003		823003	
5E	820005		822005		823005	
7E	820007		822007		823007	
10E	820010		822010		823010	
13E	820013		822013		823013	
15E	820015	830015	822015	832015	823015	833015
20E	820020	830020	822020	832020	823020	833020
25E	820025	830025	822025	832025	823025	833025
30E	820030	830030	822030	832030	823030	833030
40E	820040	830040	822040	832040	823040	833040
50E	820050	830050	822050	832050	823050	833050
65E	820065	830065	822065	832065	823065	833065
80E	820080	830080	822080	832080	823080	833080
100E	820100	830100	822100	832100	823100	833100
125E	820125	830125	822125	832125	823125	833125
150E	820150	830150	822150	832150	823150	833150
175E	820175	830175	822175	832175	823175	833175
200E	820200	830200	822200	832200	823200	833200
250E	820250	830250	822250	832250	823250	833250
300E	820300	830300	822300	832300	823300	833300
400E	820400	830400	822400	832400	823400	833400

Types SM-4, SM-5, SMD-20, and SMD-40 Power Fuses

Table 6. SM-4® Refill Units (For use in SM-4 Holders)

Rating, ↓ Amperes ↓	7.2 kV Nominal, 8.3 kV Max ^①		14.4 kV Nominal, 17.0 kV Max			
	Catalog Number		Catalog Number			
Speed →	S&C Std. TCC 115-4		S&C Std. TCC 115-4			
1 2	121001R4 121002R4		122001R4 122002R4			
Speed →	S&C Std. TCC 153-4	S&C Slow TCC 119-4	S&C Std. TCC 153-4	S&C Slow TCC 119-4	S&C Coord. TCC 179-4	
3E	121005R4		122005R4			
5E	121007R4		122007R4			
7E	121010R4		122010R4			
10E	121015R4		122015R4			
13E	121020R4		122020R4			
15E	121025R4	251025R4	122025R4	252025R4		
20E	121030R4	251030R4	122030R4	252030R4		
25E	121040R4	251040R4	122040R4	252040R4		
30E	121050R4	251050R4	122050R4	252050R4		
40E	121060R4	251060R4	122060R4	252060R4		
50E	121075R4	251075R4	122075R4	252075R4		
65E	121100R4	251100R4	122100R4	252100R4		
80E	121125R4	251125R4	122125R4	252125R4		
100E	121150R4	251150R4	122150R4	252150R4		
125E	121200R4	251200R4	122200R4	252200R4		
150E	121250R4	251250R4	122250R4	252250R4		
175E	121275R4	251275R4	122275R4	252275R4		
200E	121300R4	251300R4	122300R4	252300R4		
210						382210R4●

① Rated 7.2 kV nominal for use in SM-4 Holders rated 7.2 kV.

● This S&C Coordinating Speed refill unit should be applied where the maximum continuous load current does not exceed 200 amperes and where all fault currents below 1000 amperes will be cleared by another fuse.

Table 6. SM-4® Refill Units (For use in SM-4 Holders)—Continued

Rating, Amperes ↓	25 kV Nominal, 27 kV Max		34.5 kV Nominal, 38 kV Max	
	Catalog Number		Catalog Number	
Speed →	S&C Std. TCC 115-4		S&C Std. TCC 115-4	
1 2	123001R4 123002R4		124001R4 124002R4	
Speed →	S&C Std. TCC 153-4	S&C Slow TCC 119-4	S&C Std. TCC 153-4	S&C Slow TCC 119-4
3E	123005R4		124005R4	
5E	123007R4		124007R4	
7E	123010R4		124010R4	
10E	123015R4		124015R4	
13E	123020R4		124020R4	
15E	123025R4	253025R4	124025R4	254025R4
20E	123030R4	253030R4	124030R4	254030R4
25E	123040R4	253040R4	124040R4	254040R4
30E	123050R4	253050R4	124050R4	254050R4
40E	123060R4	253060R4	124060R4	254060R4
50E	123075R4	253075R4	124075R4	254075R4
65E	123100R4	253100R4	124100R4	254100R4
80E	123125R4	253125R4	124125R4	254125R4
100E	123150R4	253150R4	124150R4	254150R4
125E	123200R4	253200R4	124200R4	254200R4
150E	123250R4	253250R4	124250R4	254250R4
175E	123275R4	253275R4	124275R4	254275R4
200E	123300R4	253300R4	124300R4	254300R4

Types SM-4, SM-5, SMD-20, and SMD-40 Power Fuses

Table 7. SM-5® Refill Units (For use in SM-5 Holders)

Rating, Amperes ↓	4.16 kV Nominal, 4.76 kV Max ^①			7.2 kV Nominal, 8.3 kV Max ^②		
	Catalog Number			Catalog Number		
Speed →	S&C Std. TCC 115-4			S&C Std. TCC 115-4		
1 2	130001R4 130002R4			131001R4 131002R4		
Speed →	S&C Std. TCC 153-4	S&C Slow TCC 119-4	S&C Coord. TCC 173-4	S&C Std. TCC 153-4	S&C Slow TCC 119-4	S&C Coord. TCC 173-4
3E	130005R4			131005R4		
5E	130007R4			131007R4		
7E	130010R4			131010R4		
10E	130015R4			131015R4		
13E	130020R4			131020R4		
15E	130025R4	260025R4		131025R4		
20E	130030R4	260030R4		131030R4		
25E	130040R4	260040R4		131040R4		
30E	130050R4	260050R4		131050R4		
40E	130060R4	260060R4		131060R4		
50E	130075R4	260075R4		131075R4		
65E	130100R4	260100R4		131100R4		
80E	130125R4	260125R4		131125R4		
100E	130150R4	260150R4		131150R4		
125E	130200R4	260200R4		131200R4		
150E	130250R4	260250R4		131250R4		
175E	130275R4	260275R4		131275R4		
200E	130300R4	260300R4		131300R4		
250E	130400R4	260400R4		131400R4	261400R4	
300E	130500R4	260500R4		131500R4	261500R4	
400E	130600R4	260600R4		131600R4	261600R4	
410			381410R4●■			381410R4■
420			381420R4●■			381420R4■

① Rated 4.16 kV nominal, for use in SM-5 Holders rated 7.2 kV when applied in listed mountings rated 7.2 kV for system voltages through 4.16 kV.

② Rated 7.2 kV nominal, for use in SM-5 Holders rated 7.2 kV when applied in listed mountings rated 7.2 kV for system voltages through 4.8 kV through 7.2 kV.

● Catalog numbers are in italics because these are 7.2-kV refill units. Interrupting ratings are those listed in S&C Descriptive Bulletin 242-30 for 7.2-kV SM-5 Power Fuses applied to systems rated 2.4/4.16 Y kV.

■ These S&C Coordinating Speed refill units should be applied where the maximum continuous load current does not exceed 400 amperes and where all fault currents below 3000 amperes for catalog numbers 381410R4 and 382410R4 and 4000 amperes for catalog numbers 381420R4 and 382420R4 will be cleared by another fuse.

Table 7. SM-5® Refill Units (For use in SM-5 Holders)—Continued

Rating, Amperes ↓	14.4 kV Nominal, 17.0 kV Max			25 kV Nominal, 27 kV Max	
	Catalog Number			Catalog Number	
Speed →	S&C Std. TCC 115-4			S&C Std. TCC 115-4	
1	132001R4			133001R4	
2	132002R4			133002R4	
Speed →	S&C Std. TCC 153-4	S&C Slow TCC 119-4	S&C Coord. TCC 173-4	S&C Std. TCC 153-4	S&C Slow TCC 119-4
3E	132005R4			133005R4	
5E	132007R4			133007R4	
7E	132010R4			133010R4	
10E	132015R4			133015R4	
13E	132020R4			133020R4	
15E	132025R4	262025R4		133025R4	263025R4
20E	132030R4	262030R4		133030R4	263030R4
25E	132040R4	262040R4		133040R4	263040R4
30E	132050R4	262050R4		133050R4	263050R4
40E	132060R4	262060R4		133060R4	263060R4
50E	132075R4	262075R4		133075R4	263075R4
65E	132100R4	262100R4		133100R4	263100R4
80E	132125R4	262125R4		133125R4	263125R4
100E	132150R4	262150R4		133150R4	263150R4
125E	132200R4	262200R4		133200R4	263200R4
150E	132250R4	262250R4		133250R4	263250R4
175E	132275R4	262275R4		133275R4	263275R4
200E	132300R4	262300R4		133300R4	263300R4
250E	132400R4	262400R4		133400R4	263400R4
300E	132500R4	262500R4		133500R4	263500R4
400E	132600R4	262600R4			
410			382410R4●		
420			382420R4●		

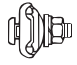


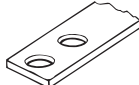

● These S&C Coordinating Speed refill units should be applied where the maximum continuous load current does not exceed 400 amperes and where all fault currents below 3000 amperes for catalog numbers 381410R4 and 382410R4 and 4000 amperes for catalog numbers 381420R4 and 382420R4 will be cleared by another fuse.

Types SM-4, SM-5, SMD-20, and SMD-40 Power Fuses

Table 7. SM-5® Refill Units (For use in SM-5 Holders)—Continued

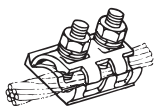
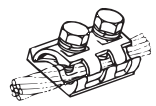
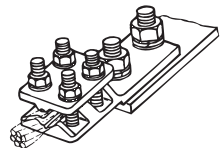
Rating, ↓ Amperes ↓	34.5 kV Nominal, 38 kV Max	
	Catalog Number	
Speed →	S&C Std. TCC 115-4	
1	134001R4	
2	134002R4	
Speed →	S&C Std. TCC 153-4	S&C Slow TCC 119-4
3E	134005R4	
5E	134007R4	
7E	134010R4	
10E	134015R4	
13E	134020R4	
15E	134025R4	264025R4
20E	134030R4	264030R4
25E	134040R4	264040R4
30E	134050R4	264050R4
40E	134060R4	264060R4
50E	134075R4	264075R4
65E	134100R4	264100R4
80E	134125R4	264125R4
100E	134150R4	264150R4
125E	134200R4	264200R4
150E	134250R4	264250R4
175E	134275R4	264275R4
200E	134300R4	264300R4
250E	134400R4	264400R4
300E	134500R4	264500R4

Table 8. Connectors—Two Provided per Mounting—For use with SMD-20 and SMD-40 Mountings

To Specify Connector Arrangement			Add Catalog Number Suffix
Illustration	Description	Accommodating Conductors	
		Size and Material	
	Parallel-groove connectors	Two No. 6 solid (13.3 mm ²) through No. 2 stranded (44.4 mm ²) copper or aluminum in one groove, No. 2 solid (33.6 mm ²) through 250 kc mil (168 mm ²) stranded copper or aluminum, or 4/0 ACSR (161 mm ²) in the other groove	-D●
	Bronze body, tin-plated, single 1/2-13 x 2 1/2 galvanized steel bolt. Same as catalog number 4740R1	No. 2 solid (33.6 mm ²) through 500 kc mil (335 mm ²) stranded copper or aluminum, or 397.5 kc mil ACSR (329 mm ²)	-K
	Aluminum-alloy body, tin-plated, two 1/2-13 x 2 1/2 galvanized steel Bolts. Same as Catalog Number 4744	No. 2 solid (33.6 mm ²) through 500 kc mil (335 mm ²) stranded copper or aluminum, or 397.5 kc mil ACSR (329 mm ²)	-L
	Provision only for NEMA pad-terminal connectors or two-hole compression connectors. Includes tin-plated terminal adapters but does not include hardware	—	-G●
	Eye-bolt connectors	No. 8 solid (8.4 mm ²) through 250 kc mil (168 mm ²) stranded copper or aluminum, or 4/0 ACSR (161 mm ²)	-M●

● Applies only to station—right-angle and overhead—pole-top style SMD-20 mountings.

Table 9. Connectors—For use with SM-4® and SM-5® Mountings

Illustration and Description	Accommodating Conductor	Catalog Number	
		Upper Terminal Pad	Lower Terminal Pad
 Aluminum alloy body, tin-plated, two 1/2-13 x 2 3/4 galvanized steel bolts	No. 2 solid (33.6 mm ²) through 500 kc mil (335 mm ²) stranded copper or aluminum	4741R2	—
 Aluminum alloy body, tin-plated, Two 1/2-13 x 2 3/4 galvanized steel bolts	No. 2 solid (33.6 mm ²) through 500 kc mil (335 mm ²) stranded copper or aluminum	—	4746
 Standard bronze pad terminal, tin-plated, four-bolt. Includes 1/2-inch galvanized steel hardware for attachment to terminal pads of fuses	No. 6 solid (13.3 mm ²) through 250 kc mil (168 mm ²) copper or aluminum	—	4564R1-A
		4564R1-B	—
	1/0 solid (53.5 mm ²) through 500 kc mil (335 mm ²) copper or aluminum	—	4565R1-A
		4565R1-B	—
	2/0 stranded (89 mm ²) through 800 kc mil (539 mm ²) copper or aluminum	—	4567R1-A
		4567R1-B	—

Types SM-4, SM-5, SMD-20, and SMD-40 Power Fuses

Table 10. Conversion Kits—For use with SMD-20 Power Fuses

Item	Catalog Number
Conversion Kit, adapts superseded 34.5-kV station—vertical-offset style mountings ^① to accept shorter, 28½-inch (724 mm) 34.5-kV SMU-20 Fuse Units listed on page 8 [superseded length was 34¼ inches (870 mm)]	5256

① Identified by the following catalog numbers:

92224R2	92224R1	92224
192224R2	192224R1	192224
192224R2-HF	192224R1-HF	192224-HF

Table 11. Parts—For use with SMD-20 and SMD-40 Power Fuses

Item	For Fuse Unit Rated, kV, Nominal		Catalog Number
	From	To	
Spare fuse unit end-fittings—for use in SMD-20 mountings, all styles except Station—Inverted	7.2	34.5	3095
Spare fuse unit end-fittings—for use in SMD-20 mountings, station—inverted style	14.4	34.5	3096
Spare fuse unit end-fittings—for use in SMD-40 mountings, station—vertical style	4.8	25	3085●
Replacement silencers—for use in SMD-40 mountings, station—vertical style	4.8	25	FDA-1064

● Includes silencer.

Table 12. Maintenance Supplies—For use with SMD-20 and SMD-40 Power Fuses

Item	For Fuse Unit	Catalog Number
Fuse-unit recoating kit—one-half pint light gray epoxy polyester gloss enamel 13-E-1 and one-half pint Catalyst 13-C-0 (two coats for ten fuse units). ^① Requires thinner listed below	All	9900-027
Thinner for fuse-unit recoating kit—one pint	All	FA-104643

① Shelf life is one year from date of manufacture.

Table 13. Recommended Handling Tools—For use with SMD-20 and SMD-40 Power Fuses

Item	Catalog Number
Large clamp●	4410R3
Station prong	4402R2
Distribution prong	4416
Talon™ Handling Tool	4440
Universal pole	■

● For installing and removing fuse units in SMD-40 Power Fuse mountings.

■ Select to match height of installation. Refer to Specification Bulletin 851-31.

Types SM-4, SM-5, SMD-20, and SMD-40 Power Fuses

Table 14. Live Parts—For SM-4 and SM-5 Power Fuses

Item	For Fuse Type	Catalog Number
Disconnect, 180° opening vertical	SM-4	87119
	SM-5	87519R2
	SM-5 (parallel)	87169R3
Disconnect, 90° opening inverted	SM-5	87199R2

Table 15. Parts—For use with SM-4 and SM-5 Power Fuses

Item	For Holder		Catalog Number
	Rated (kV, Nominal)	Type	
Spare spring-and-cable assembly	7.2	SM-4	FA-972
	7.2	SM-5	FA-2341●
	14.4	SM-4	FA-973
	14.4	SM-5	FA-2342●
	23 or 25	SM-4	FA-974
	23 or 25	SM-5	FA-2343●
	34.5	SM-4	FA-975
Pull-ring assembly for holder, disconnect, 180° opening vertical	7.2 through 34.5	SM-4	FDA-1025
	7.2 through 34.5	SM-5	FDA-1027
Pivot/rain shield assembly for holder, disconnect, 180° opening vertical	7.2 through 34.5	SM-4	FDA-1028
	7.2 through 34.5	SM-5	FDA-1029

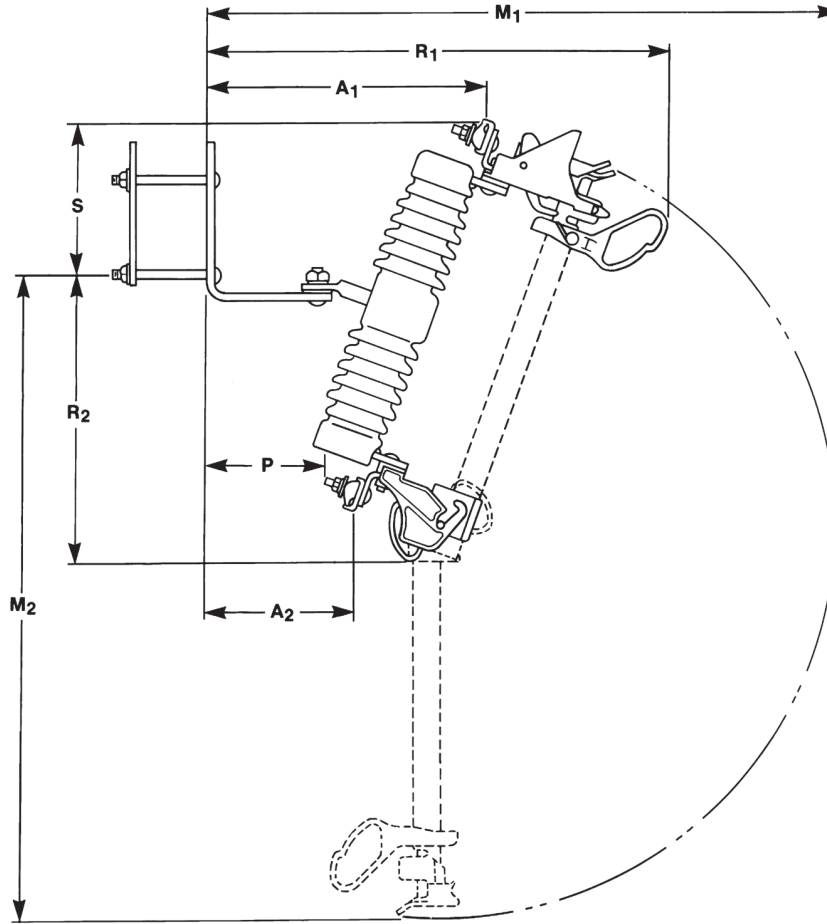
● For use only in holders carrying an arrow-shaped nameplate. Spring-and-cable assemblies for holders that do not carry an arrow-shaped nameplate are no longer available, so a new holder with the appropriate voltage rating must be ordered.

Table 16. Recommended Handling Tools—For use with SM-4 and SM-5 Power Fuses

Item	For Fuse Mounting		Catalog Number
	Style	Type	
Locking prong	Disconnect 90° opening inverted	SM-5	4404
Station prong	Disconnect 180° opening vertical and disconnect 90° opening inverted	SM-4 or SM-5	4402R2
Universal pole			●

● Select to match height of installation. Refer to Specification Bulletin 851-31.

SMD-20 Power Fuse Overhead—Pole-Top Style



Rating				Leakage Distance to Ground Minimum, Inches (mm)	Catalog Number ^{①②} (Complete Mounting Incl. Live Parts and End Fittings, less Connectors)				Dimensions in Inches (mm)								Net Wt., Lbs. (Kg.)	
kV			Amps, Max		Polymer Insulators	Porcelain Insulators	Polymer Insulators	Porcelain Insulators	A ₁	A ₂	M ₁	M ₂	P	R ₁	R ₂	S ^③	Polymer Insulators	Porcelain Insulators
Nom.	Max	BIL																
14.4	17.0	125	200	—	11 (279)	—	92122R3■	12 ⁷ / ₈ (327)	6 ⁵ / ₈ (168)	28 ⁵ / ₈ (727)	30 (762)	5 ¹ / ₂ (140)	21 ¹ / ₂ (546)	14 (356)	6 ⁷ / ₈ (175)	—	23 (10)	
14.4	17.0	150	200	26 ¹ / ₂ (673)	17 (432)	92142R3-P■	92142R3■	12 ⁷ / ₈ (327)	6 ⁷ / ₈ (168)	28 ⁵ / ₈ (727)	30 (762)	5 ¹ / ₂ (140)	21 ¹ / ₂ (546)	14 (356)	6 ⁷ / ₈ (175)	17 (8)	27 (12)	
25●	27	150	200	—	17 (432)	—	92123R3■	13 ³ / ₈ (340)	5 ⁵ / ₈ (137)	31 ¹ / ₂ (800)	35 ¹ / ₈ (892)	4 ⁷ / ₈ (124)	22 ¹ / ₁₆ (560)	15 ⁵ / ₈ (397)	8 ¹ / ₄ (210)	—	25 (11)	
25●	27	150	200	37 ¹ / ₂ (953)	26 (660)	92123R3-P■	92143R3■	13 ³ / ₈ (340)	5 ⁵ / ₈ (137)	31 ¹ / ₂ (800)	35 ¹ / ₈ (892)	4 ⁷ / ₈ (124)	22 ¹ / ₁₆ (560)	15 ⁵ / ₈ (397)	8 ¹ / ₄ (210)	19 (9)	30 (14)	

① All SMD-20 mountings are equipped with an attachment hook to accommodate Loadbuster® – The S&C Loadbreak Tool.

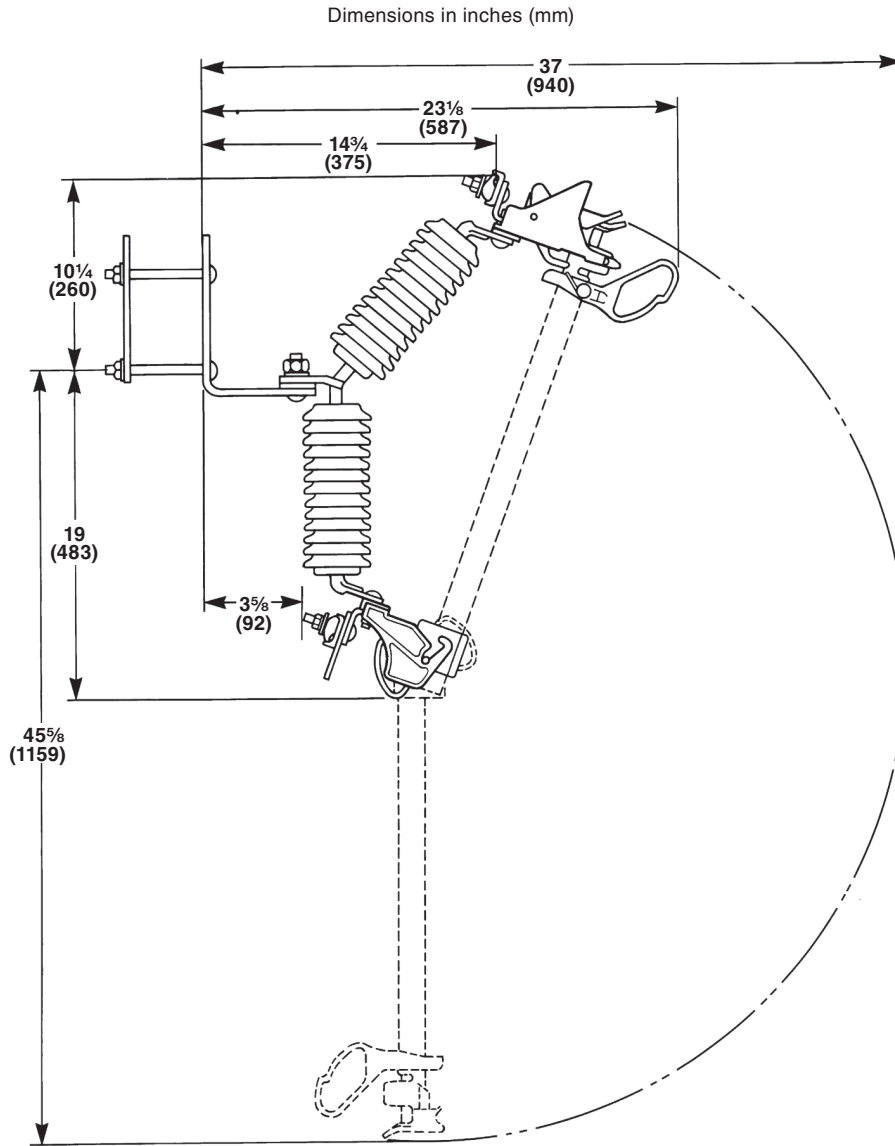
② Connectors must be specified, refer to Table 8 on page 17.

③ Dimension applies to mounting furnished with optional parallel-groove connectors (mounting catalog number suffix “-D”). Dimension varies for mountings furnished with other connector arrangements.

● Also suitable for protection of single-phase-to-neutral circuits (lines or transformers) on 20/34.5 GrY-kV systems.

■ For provisions only for NEMA pad-terminal connectors or two-hole compression connectors, add suffix “-G” to catalog number.

SMD-20 Power Fuse
Overhead—Pole-Top Style



Rating			Amps, Max	Leakage Distance to Ground Minimum, Inches (mm)	Catalog Numbers ^{①②} (Complete Mounting Incl. Live Parts and End Fittings, less Connectors)	Net Wt., Lbs. (Kg.)
kV						
Nom.	Max	BIL				
34.5	38	200	200	25½ (648)	92544R3●	33 (15)

① All SMD-20 mountings are equipped with attachment hook to accommodate Loadbuster® – The S&C Loadbreak Tool.

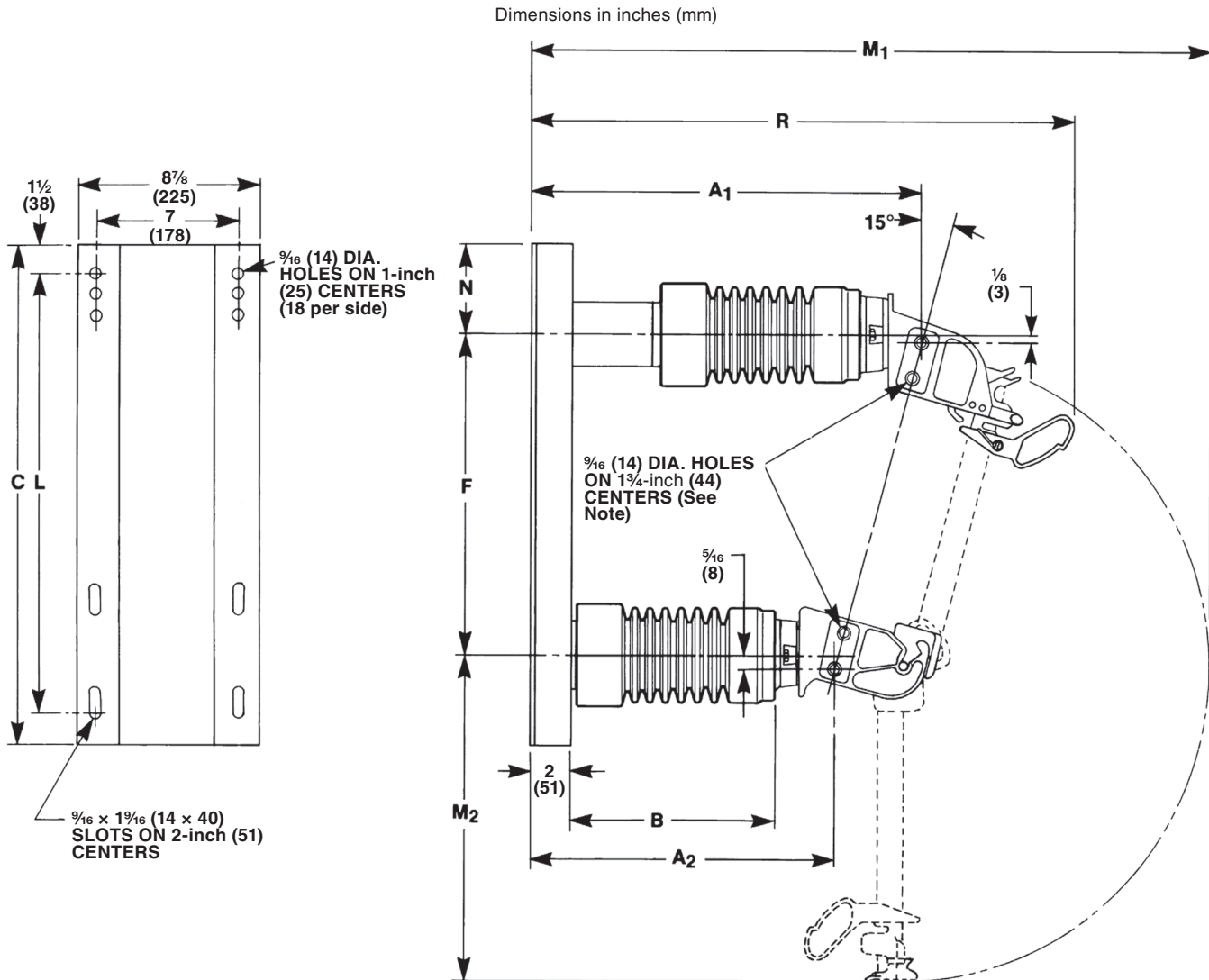
② Connectors must be specified, refer to Table 8 on page 17.

● For provisions only for NEMA pad-terminal connectors or two-hole compression connectors, add suffix “-G” to catalog number.

Types SM-4, SM-5, SMD-20, and SMD-40 Power Fuses

SMD-20 Power Fuse

Station—Vertical-Offset Style



NOTE: Terminal pads provided on both sides of fuse mounting.

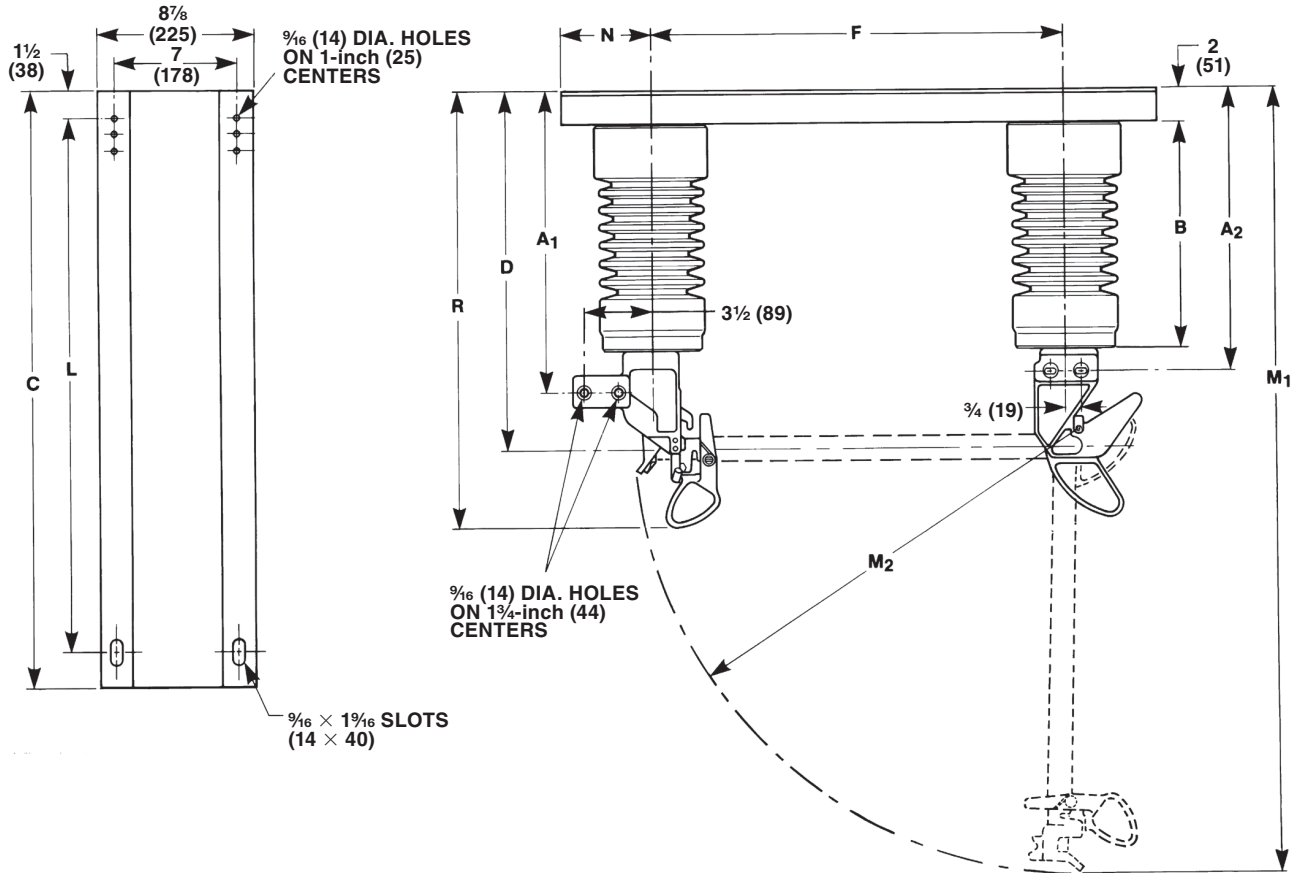
Rating				Leakage Distance to Ground Minimum, Inches (mm)	Catalog Number (Complete Mounting Incl. Live Parts and End Fittings, less Connectors)①②		Dimensions in Inches (mm)														Number of slots per side	Net Wt., Lbs. (Kg.)	
kV			Amps, Max		Cypoxy Station Post Insulators	Porcelain Station Post Insulators	A1	A2	B	C	F	L	M1	M2	N	R	Cypoxy Station Post Insulators	Porcelain Station Post Insulators					
Nom.	Max	BIL																					
14.4	17.0	110	200	15 1/2 (394)	192222R2-E	192222R2	19 7/8 (505)	14 1/2 (368)	10 (254)	27 (686)	18 13/16 (478)	25 (635)	36 3/8 (924)	18 3/8 (467)	4 1/16 (103)	27 5/8 (702)	3	60 (27)	74 (34)				
25	27	150	200	24 (610)	192223R2-E	192223R2	24 3/4 (629)	18 1/2 (470)	14 (356)	31 (787)	22 1/4 (565)	29 (737)	43 7/8 (1114)	21 7/8 (556)	4 3/8 (111)	32 5/8 (829)	5	77 (35)	104 (47)				
34.5	38	200	200	37 (940)	192504-E	192504	30 3/8 (772)	22 1/2 (572)	18 (457)	39 (991)	28 (711)	37 (940)	53 7/8 (1368)	27 7/8 (708)	5 1/2 (140)	38 1/8 (968)	9	98 (44)	136 (62)				

① All SMD-20 mountings are equipped with attachment hook to accommodate Loadbuster® – The S&C Loadbreak Tool.

② For available connector arrangements, refer to Table 8 on page 17.

SMD-20 Power Fuse
Station—Inverted Style

Dimensions in inches (mm)



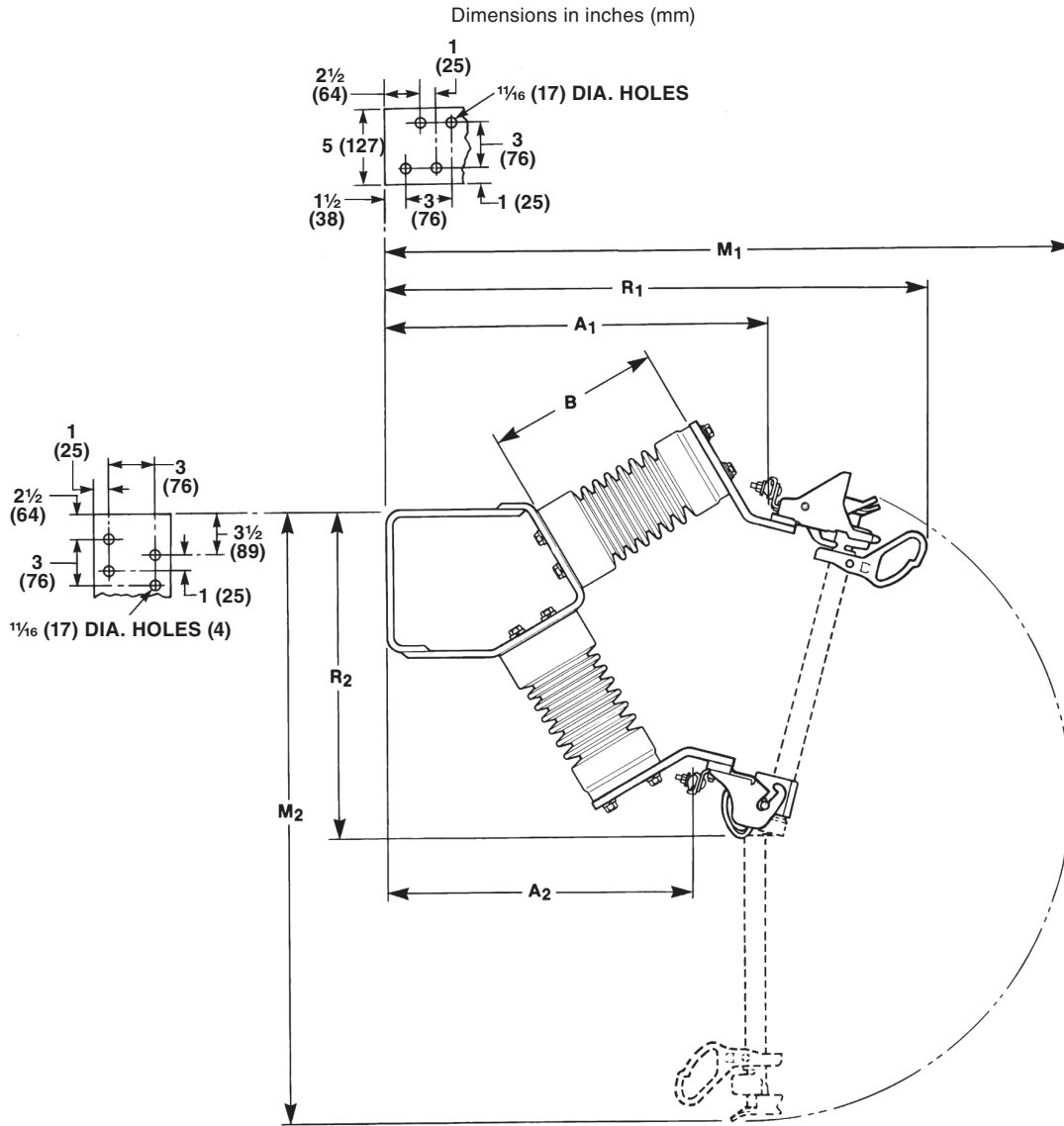
Rating				Leakage Distance to Ground Minimum, Inches (mm)	Catalog Number (Complete Mounting Incl. Live Parts and End Fittings, less Connectors) ①②		Dimensions in Inches (mm)										Net Wt., Lbs. (Kg.)		
kV		Amps, Max	BIL		Cypoxy Station Post Insulators	Porcelain Station Post Insulators	A1	A2	B	C	D	F	L	M1	M2	N	R	Cypoxy Station Post Insulators	Porcelain Station Post Insulators
Nom.	Max																		
14.4	17.0	110	200	15 1/2 (394)	192292-E	192292	14 3/8 (365)	14 7/8 (359)	10 (254)	25 (635)	17 7/8 (454)	17 1/4 (438)	22 (559)	35 5/8 (905)	18 3/8 (467)	4 (102)	22 1/8 (562)	53 (24)	67 (30)
25	27	150	200	24 (610)	192293-E	192293	18 3/8 (467)	18 1/8 (460)	14 (356)	29 (737)	21 7/8 (556)	20 3/4 (527)	26 (660)	43 1/8 (1095)	21 7/8 (556)	4 1/4 (108)	26 1/8 (664)	70 (32)	97 (44)
34.5	38	200	200	37 (940)	192294-E	192294	22 3/8 (568)	22 1/8 (562)	18 (457)	35 (889)	25 7/8 (657)	26 3/4 (679)	32 (813)	53 1/8 (1349)	27 7/8 (708)	4 1/4 (108)	30 1/8 (765)	90 (41)	128 (58)

① All SMD-20 mountings are equipped with attachment hook to accommodate Loadbuster® – The S&C Loadbreak Tool.

② For available connector arrangements, refer to Table 8 on page 17.

Types SM-4, SM-5, SMD-20, and SMD-40 Power Fuses

SMD-20 Power Fuse Station—Right-Angle Style



Rating				Leakage Distance to Ground Minimum, Inches (mm)	Catalog Number (Complete Mounting Incl. Live Parts and End Fittings, less Connectors) ① ②		Dimensions in Inches (mm)						Net Wt., Lbs. (Kg.)		
kV			Amps, Max		Cypoxy Station Post Insulators	Porcelain Station Post Insulators	A1	A2	B	M1	M2	R1	R2	Cypoxy Station Post Insulators	Porcelain Station Post Insulators
Nom.	Max	BIL													
14.4	17.0	110	200	15½ (394)	192232R3-E●	192232R3●	21⅞ (549)	17 (432)	10 (254)	39½ (1003)	35¼ (895)	30⅞ (778)	17⅞ (448)	50 (23)	64 (29)
25	27	150	200	24 (610)	192233R3-E●	192233R3●	25¾ (654)	20⅞ (518)	14 (356)	46⅞ (1178)	41½ (1054)	34¾ (883)	20⅞ (518)	60 (27)	87 (39)
34.5	38	200	200	37 (940)	192234R3-E●	192234R3●	29⅞ (740)	22⅞ (562)	18 (457)	54⅞ (1375)	51⅞ (1299)	38⅞ (968)	24 (610)	72 (33)	110 (50)

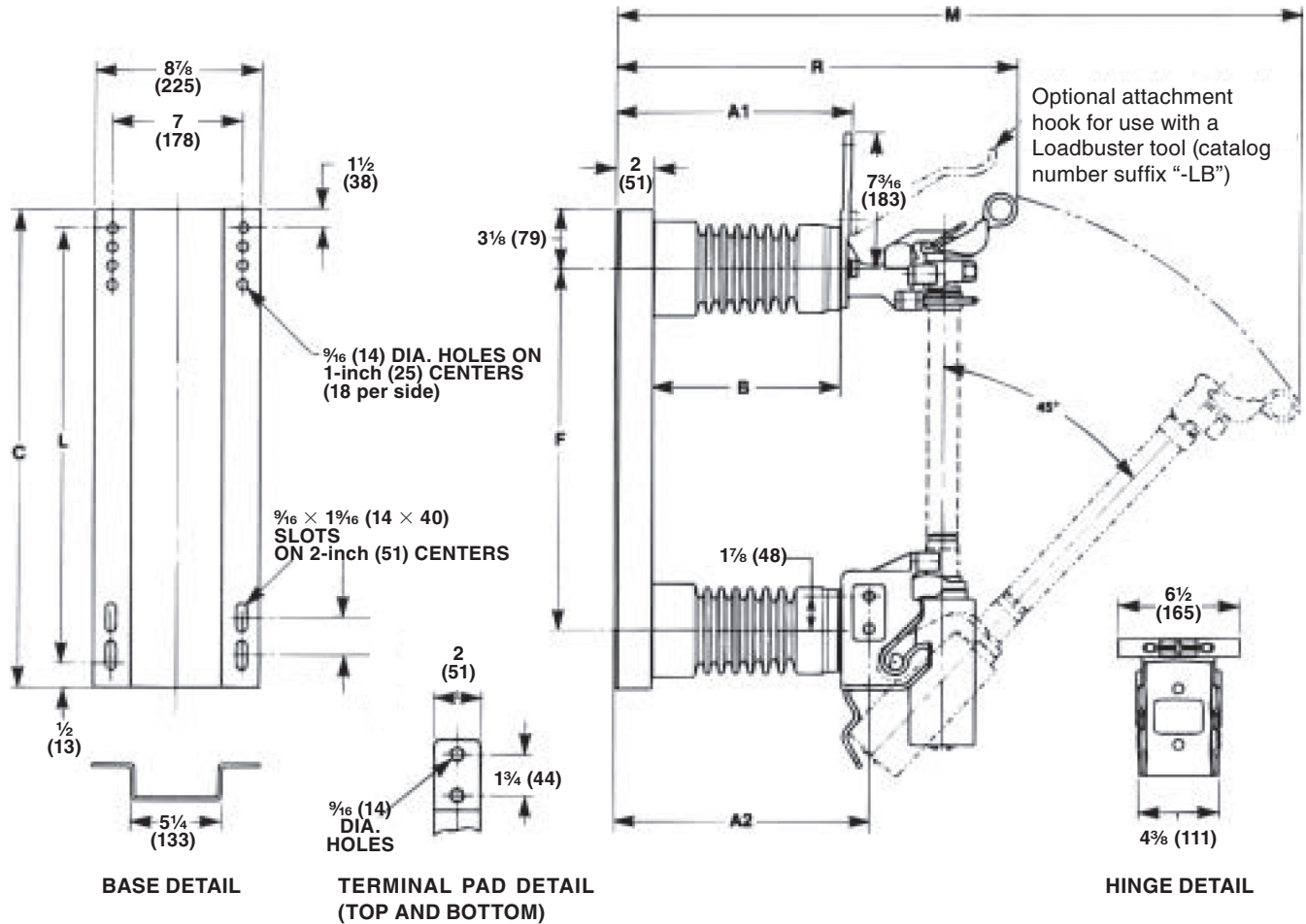
① All SMD-20 mountings are equipped with attachment hook to accommodate Loadbuster® – The S&C Loadbreak Tool.

② Connectors must be specified, refer to Table 8 on page 17.

● For provisions only for NEMA pad-terminal connectors or two-hole compression connectors, add suffix “-G” to catalog number.

SMD-40 Power Fuse
Station—Vertical Style

Dimensions in inches (mm)



Rating				Leakage Distance to Ground, Minimum, Inches (mm)	Catalog Number (Complete Mounting incl. Live Parts and End Fittings, less Connectors) ①②③		Dimensions in Inches (mm)								Number of Slots per Side	Net Weight, Lbs. (Kg.)	
kV		Amps, Max	BIL		Cyproxy Station Post Insulators	Porcelain Station Post Insulators	A1	A2	B	C	F	L	M	R		Cyproxy Station Post Insulators	Porcelain Station Post Insulators
Nom.	Max																
4.8	5.5	95	400E	15½ (394)	192320●	192320-SP	12½■ (321)	13½■ (346)	10■ (254)	27 (686)	19¼ (489)	25 (635)	36¾■ (924)	21¾■ (543)	3	65 (29)	73 (33)
14.4	17.0	110	400E	15½ (394)	192322	192322-SP	12¾ (321)	13¾ (346)	10 (254)	29 (737)	22¾ (578)	27 (686)	38¾ (984)	21¾ (543)	4	70 (32)	85 (39)
25	29	150	400E	24 (610)	192323	192323-SP	16¾ (422)	17¾ (448)	14 (356)	33 (838)	26¼ (667)	31 (787)	45½ (1146)	25¾ (645)	6	85 (39)	110 (50)

① For available connector arrangements, refer to Table 8 on page 17.
 ② SMD-40 Live Parts are not available separately.
 ③ To specify optional Loadbuster® tool attachment hook, add suffix “-LB” to catalog number; e.g., catalog number 192320-LB.
 ● Mounting includes 14.4-kV/110-kV BIL Cyproxy station post insulators.

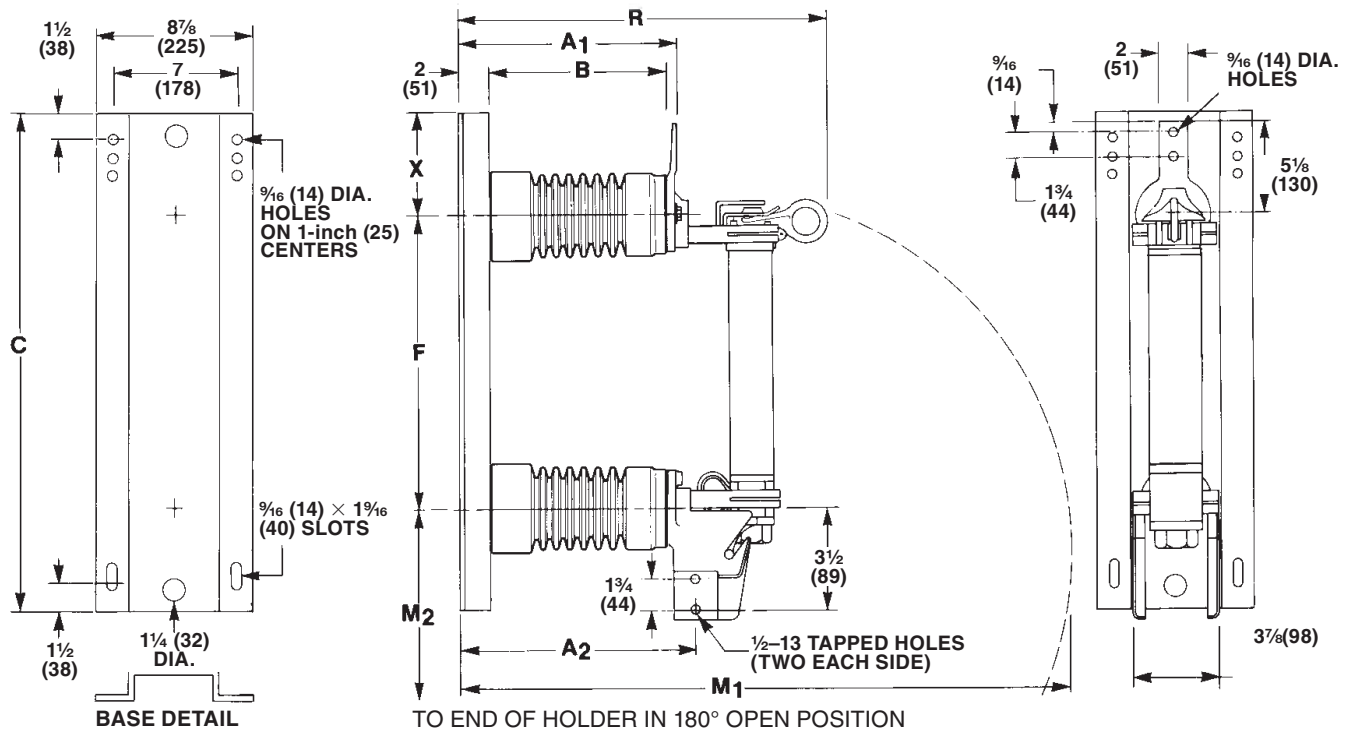
■ These dimensions are for mountings with 110-kV BIL Cyproxy station post insulators. Deduct 2½ inches (64 mm) for mountings furnished with 95-kV BIL porcelain station post insulators; i.e., catalog number 192320-SP. Leakage distance to ground is 10½ inches (267 mm) for mounting with porcelain station post insulators.

Types SM-4, SM-5, SMD-20, and SMD-40 Power Fuses

SM-4★ Power Fuse

Disconnect, 180° Opening, Vertical Style

Dimensions in inches (mm)



★ SM-4 mountings in the disconnect 180° opening vertical style can be equipped with attachment hook to accommodate Loadbuster® – The S&C Loadbreak Tool. Specify by adding suffix “-LB” to catalog number of mounting.

Rating				Catalog Number			Dimensions in Inches (mm)										Net Weight, Lbs. (Kg.)		
kV			Amps. Max	Mounting ①②		Holder ③	A ₁	A ₂	B	C	F	M ₁	M ₂	R	X	Cypoxy Station Post Insulators	Porcelain Station Post Insulators	Holder	
Nom.	Max	BIL		Cypoxy Station Post Insulators	Porcelain Station Post Insulators														
7.2	8.3	95	200E	190501R1-E●	190501R1	86051	12 $\frac{3}{8}$ ■ (314)	13 $\frac{1}{2}$ ■ (343)	10▲ (254)	24 (610)	12 $\frac{1}{2}$ (318)	30 $\frac{3}{8}$ ■ (772)	15 $\frac{1}{2}$ (394)	20 $\frac{3}{4}$ ■ (527)	5 $\frac{1}{4}$ (146)	50 (23)	57 (26)	8.0 (3.6)	
14.4	17.0	110	200E	190502R1-E	190502R1	86052	12 $\frac{3}{8}$ ◆ (314)	13 $\frac{1}{2}$ (343)	10 (254)	28 (711)	16 $\frac{1}{2}$ (419)	34 $\frac{3}{8}$ (873)	19 $\frac{1}{2}$ (495)	20 $\frac{3}{4}$ ◆ (527)	5 $\frac{1}{4}$ (146)	56 (25)	70 (32)	9.0 (4.1)	
25	27	150	200E	190503R1-E	190503R1	86053	16 $\frac{3}{8}$ ◆ (416)	17 $\frac{1}{2}$ (445)	14 (356)	32 (813)	20 $\frac{3}{4}$ (527)	42 $\frac{3}{8}$ (1083)	23 $\frac{3}{4}$ (603)	24 $\frac{3}{4}$ ◆ (629)	5 $\frac{1}{8}$ (143)	72 (33)	99 (45)	10.3 (4.7)	
34.5	38	150	200E	—	190054	86054	16 $\frac{3}{8}$ ◆ (416)	17 $\frac{1}{2}$ (445)	14 (356)	40 (1016)	28 (711)	49 $\frac{7}{8}$ (1267)	31 (787)	24 $\frac{3}{4}$ ◆ (629)	6 (152)	—	105 (48)	14.3 (6.5)	
34.5	38	200	200E	190504R1-E	190504R1	86054	20 $\frac{3}{8}$ ◆ (518)	21 $\frac{1}{2}$ (546)	18 (457)	40 (1016)	28 (711)	53 $\frac{7}{8}$ (1368)	31 (787)	28 $\frac{3}{4}$ ◆ (730)	6 (152)	90 (41)	128 (58)	14.3 (6.5)	

① Mounting includes live parts, less holder. For live parts furnished separately, refer to Table 14 on page 19.

② For available connectors, refer to Table 9 on page 17.

③ Holder does not carry snuffler or silencer.

● Mounting includes 14.4-kV/110-kV BIL Cypoxy station post insulators.

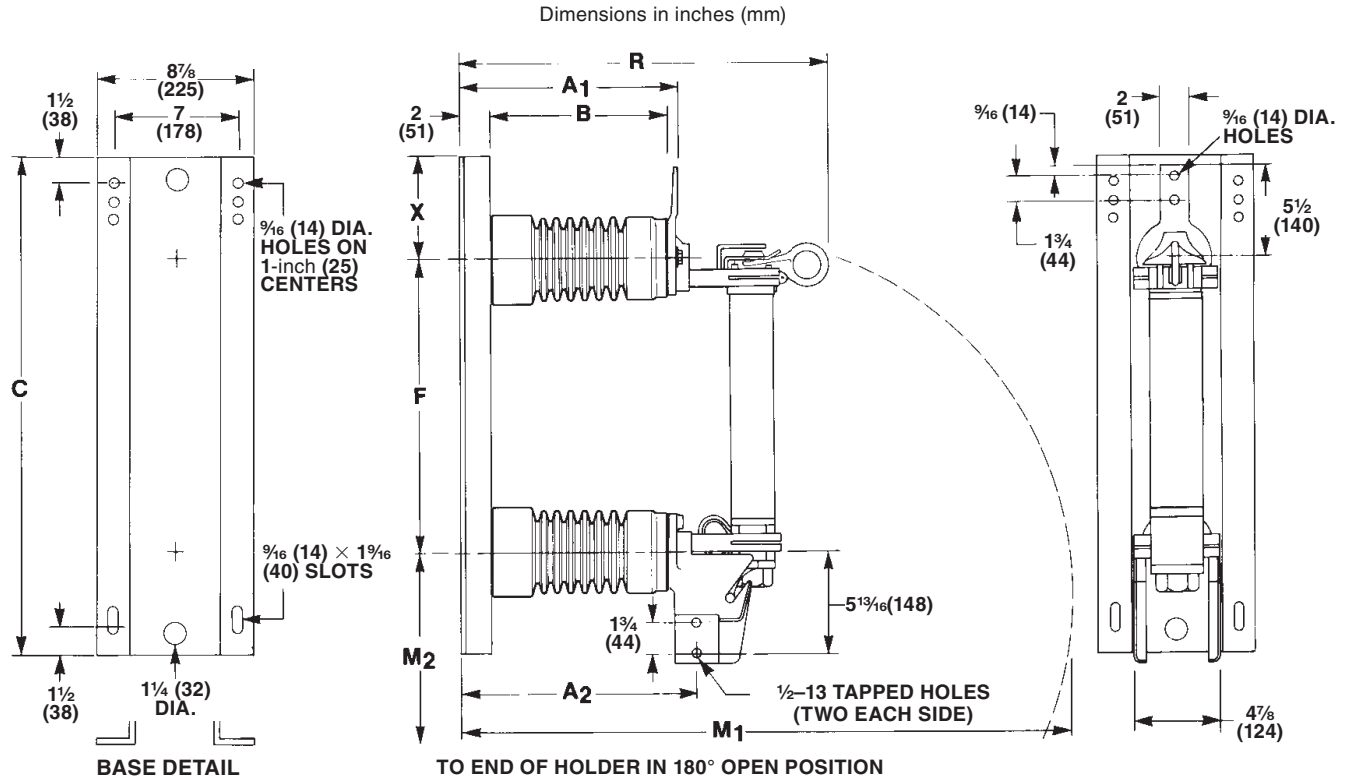
■ Mounting includes 14.4-kV BIL Cypoxy station post insulators.

▲ Deduct 2 inches (51 mm) from dimension of mountings equipped with porcelain station post insulators.

◆ Add $\frac{1}{2}$ -inch (13 mm) to dimension of mountings equipped with porcelain station post insulators.

SM-5 Power Fuse

Disconnect, 180° Opening, Vertical Style



Rating			Catalog Number				Dimensions in Inches (mm)										Net Weight, Lbs. (Kg.)		
kV			Amps, Max	Mounting ^{①②}		Holder ^③	A ₁	A ₂	B	C	F	M ₁	M ₂	R	X	Cypoxy Station Post Insulators	Porcelain Station Post Insulators	Holder	
Nom.	Max	BIL		Cypoxy Station Post Insulators	Porcelain Station Post Insulators														
7.2	8.3	95	400E	190601R2-E●	190601R2	86151R2	12 $\frac{3}{8}$ ■ (314)	13 $\frac{1}{2}$ ■ (343)	10■ (254)	24 (610)	12 $\frac{1}{2}$ (318)	33 $\frac{3}{8}$ ■ (854)	19 $\frac{5}{8}$ (498)	21 $\frac{3}{4}$ ■ (552)	5 $\frac{3}{4}$ (146)	54 (24)	61 (28)	21.0 (9.5)	
14.4	17.0	110	400E	190602R2-E	190602R2	86152R2	12 $\frac{3}{8}$ ■ (314)	13 $\frac{1}{2}$ ■ (343)	10 (254)	28 (711)	16 $\frac{1}{2}$ (419)	37 $\frac{5}{8}$ (956)	23 $\frac{5}{8}$ (600)	21 $\frac{3}{4}$ (552)	5 $\frac{3}{4}$ (146)	60 (27)	74 (34)	23.3 (10.6)	
25	27	150	300E	190603R2-E	190603R2	86153R2	16 $\frac{5}{8}$ (416)	17 $\frac{1}{2}$ (445)	14 (356)	32 (813)	20 $\frac{1}{2}$ (527)	45 $\frac{5}{8}$ (1165)	27 $\frac{5}{8}$ (708)	25 $\frac{3}{4}$ (654)	5 $\frac{5}{8}$ (143)	76 (34)	103 (47)	25.8 (11.7)	
34.5	38	150	300E	—	190064	86154R2	16 $\frac{5}{8}$ (416)	17 $\frac{1}{2}$ (445)	14 (356)	40 (1016)	28 (711)	53 $\frac{3}{8}$ (1349)	35 $\frac{1}{8}$ (892)	25 $\frac{3}{4}$ (654)	6 (152)	—	109 (49)	31.8 (14.4)	
34.5	38	200	300E	190604R2-E	190604R2	86154R2	20 $\frac{3}{8}$ (518)	21 $\frac{1}{2}$ (546)	18 (457)	40 (1016)	28 (711)	57 $\frac{1}{8}$ (1451)	35 $\frac{1}{8}$ (892)	29 $\frac{3}{4}$ (756)	6 (152)	94 (43)	132 (60)	31.8 (14.4)	

① Mounting includes live parts, less holder. For live parts furnished separately, refer to Table 14 on page 19.

② For available connectors, refer to Table 9 on page 17.

③ Holder does not carry snuffler or silencer.

● Mounting includes 14.4-kV/110-kV BIL Cypoxy station post insulators.

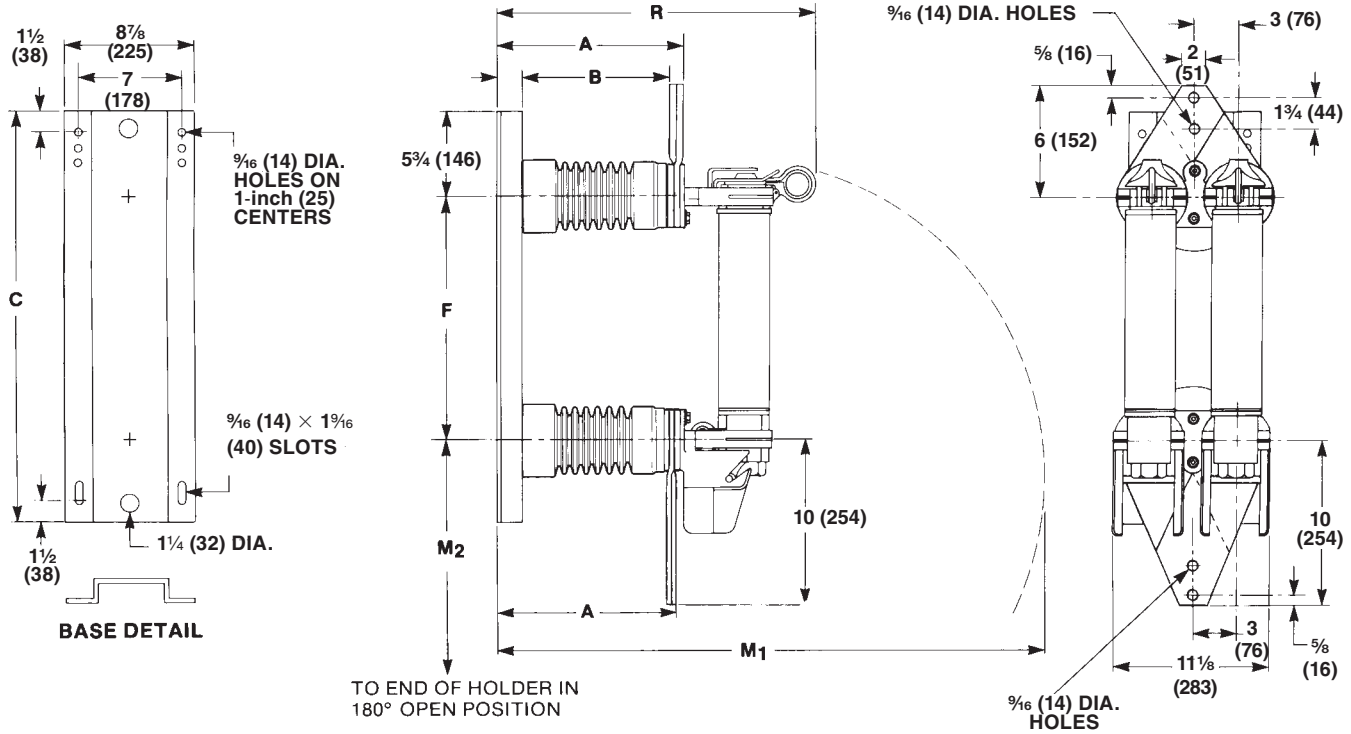
■ Deduct 2 inches (51 mm) from dimension of mountings equipped with porcelain station post insulators.

Types SM-4, SM-5, SMD-20, and SMD-40 Power Fuses

SM-5 Power Fuse

Disconnect, 180° Opening—Vertical Style

Dimensions in inches (mm)



Rating			Catalog Number			Dimensions in Inches (mm)							Net Weight, Lbs. (Kg.)			
kV			Amps, Max	Mounting ^{①②}		Holder ^③	A	B	C	F	M ₁	M ₂	R	Cypoxy Station Post Insulators	Porcelain Station Post Insulators	Holder
Nom.	Max	BIL		Cypoxy Station Post Insulators	Porcelain Station Post Insulators											
7.2	8.3	95	720E	190561R3-E●	190561R3	86151R2■	12 1/2▲ (318)	10▲ (254)	24 (610)	12 1/2 (318)	34▲ (864)	20 1/4 (514)	22 3/8▲ (568)	84 (38)	91 (41)	21.0 (9.5)
14.4	17.0	110	720E	190562R3-E	190562R3	86152R2■	12 1/2 (318)	10 (254)	28 (711)	16 1/2 (419)	38 (965)	24 1/4 (616)	22 3/8 (568)	90 (41)	104 (47)	23.3 (10.6)

① Mounting includes live parts, less holder. For live parts furnished separately, refer to Table 14 on page 19.

② For available connectors, refer to Table 9 on page 17.

③ Holder does not carry snuffler or silencer.

● Mounting includes 14.4-kV/110-kV BIL Cypoxy station post insulators.

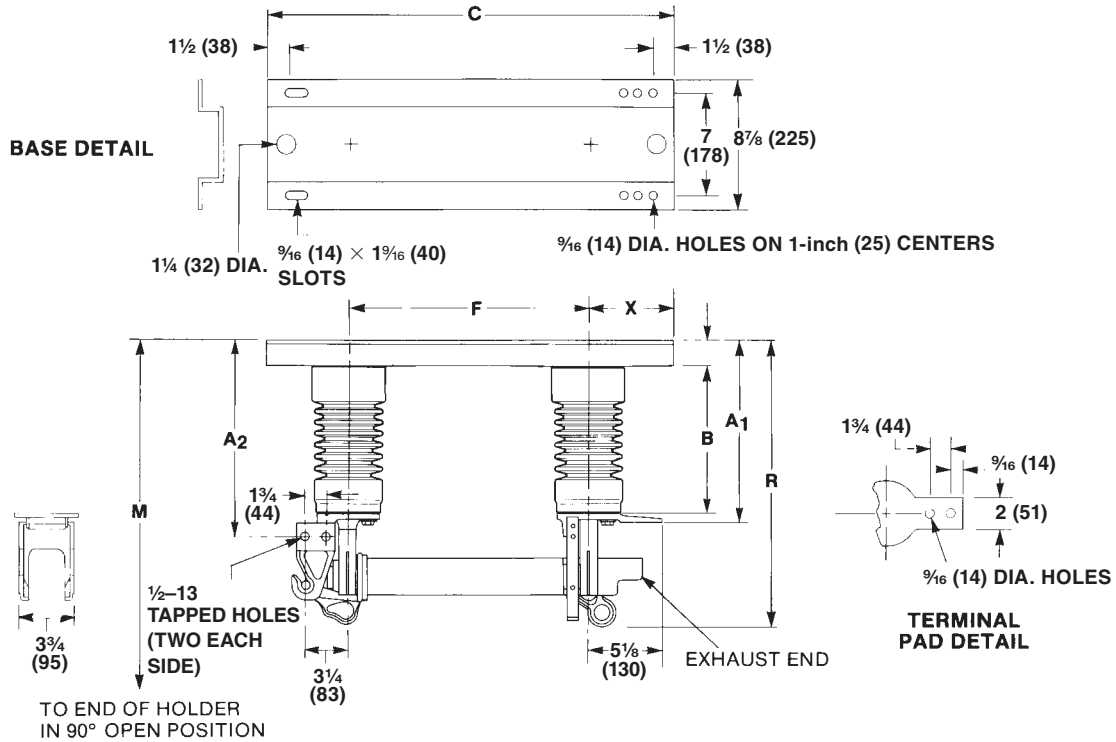
■ Two holders required with each mounting.

▲ Deduct 2 1/2 inches (64 mm) from dimension of mountings equipped with porcelain station post insulators.

SM-5 Power Fuse

Disconnect, 90° Opening, Inverted Style

Dimensions in inches (mm)



Rating				Catalog Number			Dimensions in Inches (mm)										Net Weight, Lbs. (Kg.)		
kV			Amps, Max	Mounting ^{①②}		Holder ^③	A ₁	A ₂	B	C	F	M	R	X	Cypoxy Station Post Insulators	Porcelain Station Post Insulators	Holder		
Nom.	Max	BIL		Cypoxy Station Post Insulators	Porcelain Station Post Insulators														
7.2	8.3	95	400E	190801R2-E●	190801R2	86191R2	12 ³ / ₈ ■ (314)	13 ¹ / ₂ ■ (343)	10■ (254)	24 (610)	12 ¹ / ₂ (318)	39 ³ / ₈ ■ (1000)	20 ⁷ / ₈ ■ (530)	5 ³ / ₄ (146)	53 (24)	60 (27)	23.5 (10.7)		
14.4	17.0	110	400E	190802R2-E	190802R2	86192R2	12 ³ / ₈ (314)	13 ¹ / ₂ (343)	10 (254)	28 (711)	16 ¹ / ₂ (419)	43 ³ / ₈ (1102)	20 ⁷ / ₈ (530)	5 ³ / ₄ (146)	59 (27)	73 (33)	25.8 (11.7)		
25	27	150	300E	190803R2-E	190803R2	86193R2	16 ³ / ₈ (416)	17 ¹ / ₂ (445)	14 (356)	32 (813)	20 ³ / ₄ (527)	51 ⁵ / ₈ (1311)	24 ⁷ / ₈ (632)	5 ³ / ₄ (143)	75 (34)	102 (46)	28.3 (12.8)		
34.5	38	150	300E	—	190084	86194R2	16 ³ / ₈ (416)	17 ¹ / ₂ (445)	14 (356)	40 (1016)	28 (711)	62 ⁷ / ₈ (1597)	24 ⁷ / ₈ (632)	6 (152)	—	108 (49)	34.3 (15.6)		
34.5	38	200	300E	190804R2-E	190804R2	86194R2	20 ³ / ₈ (518)	21 ¹ / ₂ (546)	18 (457)	40 (1016)	28 (711)	62 ⁷ / ₈ (1597)	28 ⁷ / ₈ (733)	6 (152)	93 (42)	131 (59)	34.3 (15.6)		

① Mounting includes live parts, less holder. For live parts furnished separately, refer to the Table 14 on page 19.

② For available connectors, refer to Table 9 on page 17.

③ Holder does not carry snuffler or silencer.

● Mounting includes 14.4-kV/110-kV BIL Cypoxy station post insulators.

■ Deduct 2 inches (51 mm) from dimension of mountings equipped with porcelain station post insulators.