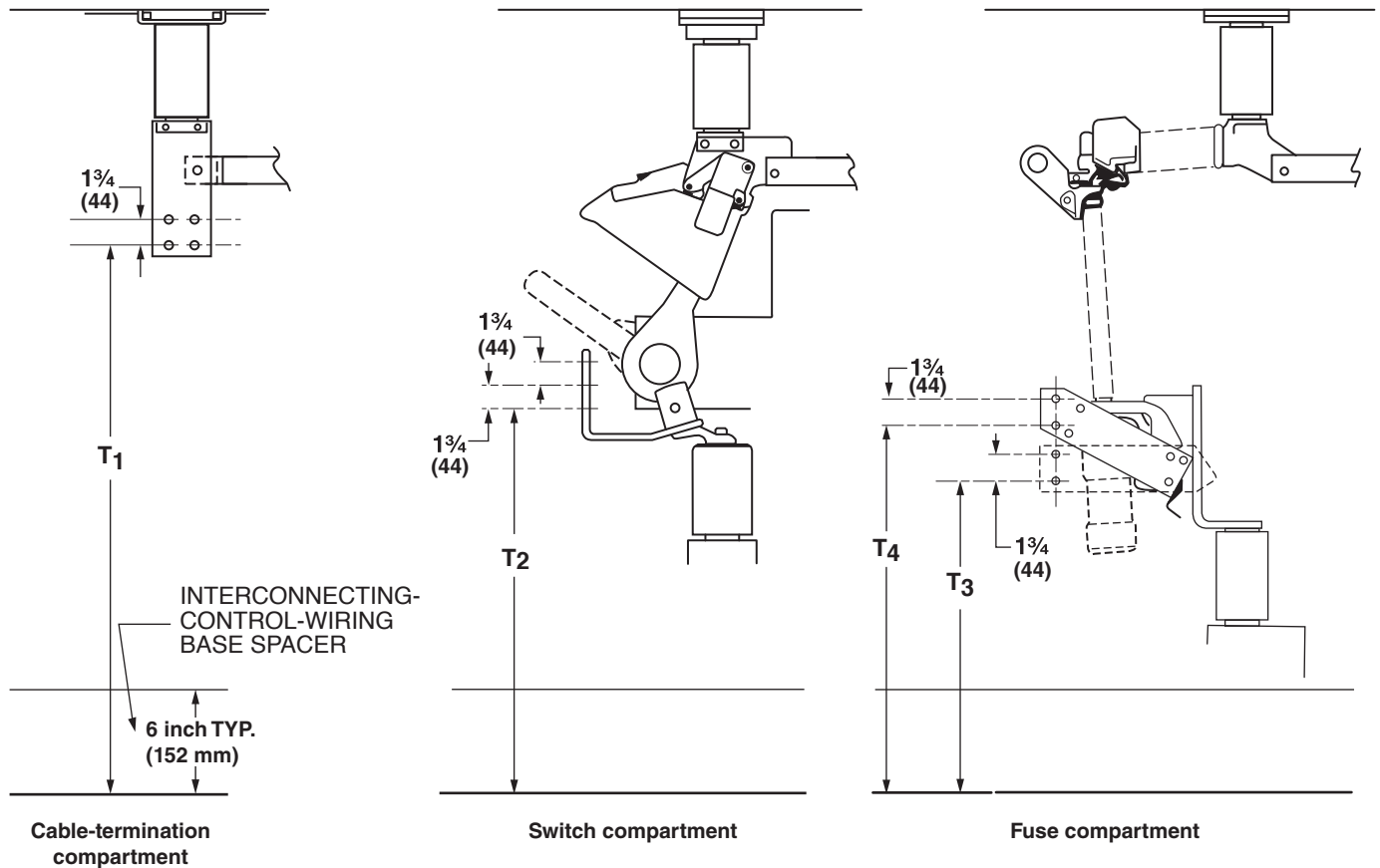


**Without Optional Cable Guides**

Inches (mm)



**Table 1. Without Optional Cable Guides, Ratings and Dimensions**

Rating, kV			Dimensions in Inches (mm)●			
Nom.	Max①	BIL	T <sub>1</sub>	T <sub>2</sub>	T <sub>3</sub> ◆	T <sub>4</sub> ◆
14.4	17.0	95	34¼ (870)	22 (559)	18⅝ (473)	23¼ (591)
25	27■	125	47¾▲ (1213)	31¼ (806)	24⅞ (632)	29½ (749)

① Maximum rating may be lower when current-limiting fuses are used. Consult appropriate current-limiting fuse manufacturer for complete fuse ratings.

● For models equipped with optional base spacers, increase cable-termination height by height of respective base spacer. For models equipped with optional cable guides, suffixes "-M2" or "-M3," refer to page 2.

◆ Dimensions shown for models rated 14.4 kV apply to units equipped with SML-20 or SML-4Z mountings; add 1⅝ inches (35 mm) if equipped with S&C Fault Fiter® Electronic Power Fuse mountings. Dimensions shown for

models rated 25 kV apply to units equipped with SML-20 mountings; deduct ¾ inch (19 mm) if equipped with SML-4Z mountings or deduct 2½ inches (64 mm) if equipped with S&C Fault Fiter Electronic Power Fuse mountings.

■ Maximum ratings for models PMH-3, PMH-10, and for all other models equipped with S&C Fault Fiter Electronic Power Fuses is 29 kV.

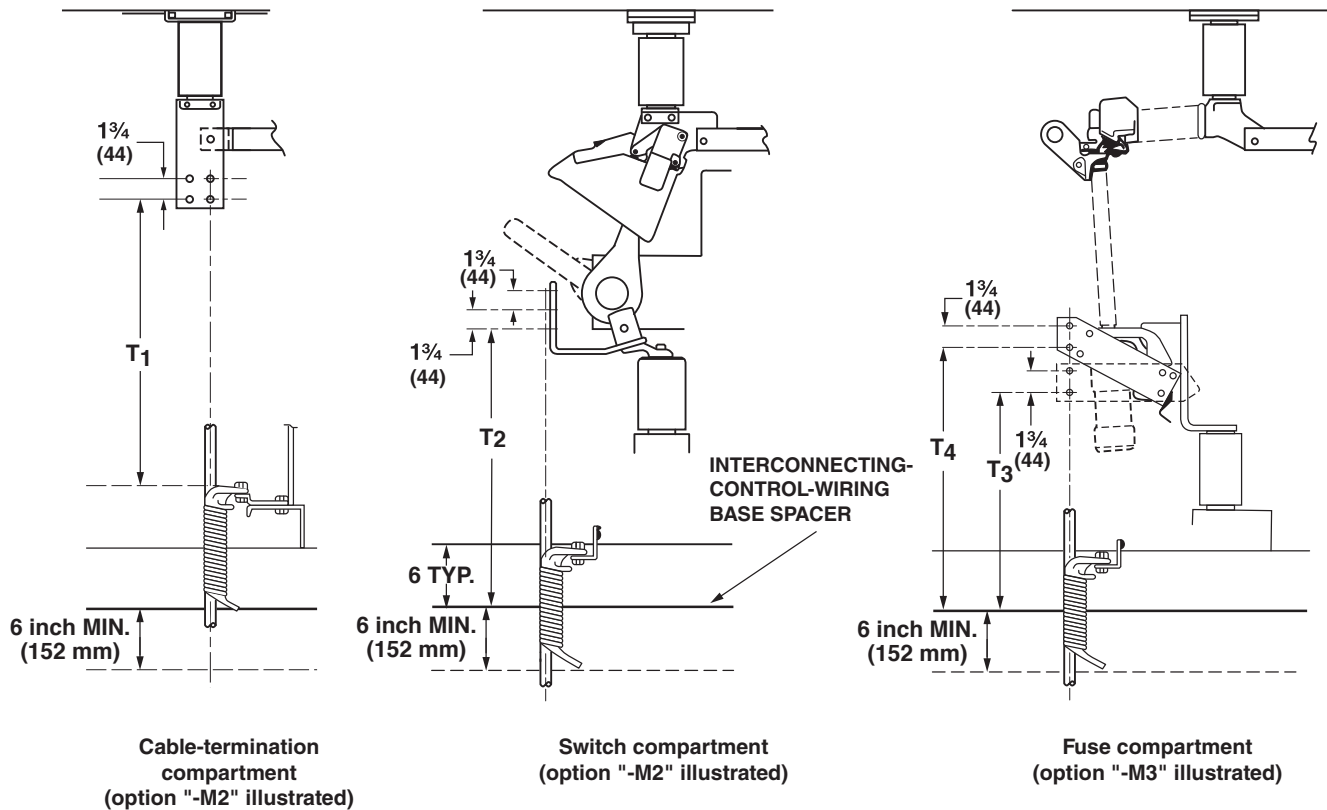
▲ The dimension shown applies to 25-kV PMH 8 and PMH 13 models; the dimension is 38 inches (965 mm) for PMH 3 and PMH 4 models.



# S&C Remote Supervisory PMH Pad-Mounted Gear

## With Optional Cable Guides★

Inches (mm)



★ These devices extend below the base of the unit. Provide a cable pit, or specify a base spacer that provides a 6-inch (152 mm) or greater increase in elevation of ungrounded parts above the mounting pad.

**Table 2. With Optional Cable Guides, Ratings and Dimensions**

Rating, kV			Dimensions in Inches (mm)			
Nom.	Max <sup>①</sup>	BIL	T <sub>1</sub>	T <sub>2</sub>	T <sub>3</sub> ◆	T <sub>4</sub> ◆
14.4	17.0	95	22 $\frac{5}{8}$ (575)	22 (559)	18 $\frac{5}{8}$ (473)	23 $\frac{1}{4}$ (591)
25	27■	125	34 $\frac{1}{2}$ (876)	31 $\frac{3}{4}$ (806)	24 $\frac{7}{8}$ (632)	29 $\frac{1}{2}$ (749)

① Maximum rating may be lower when current-limiting fuses are used. Consult appropriate current-limiting fuse manufacturer for complete fuse ratings.

◆ Dimensions shown for models rated 14.4 kV apply to units equipped with SML-20 or SML-4Z mountings; add 1 $\frac{1}{8}$  inches (35 mm) if equipped with S&C Fault Fiter® Electronic Power Fuse mountings. Dimensions shown for

models rated 25 kV apply to units equipped with SML-20 mountings; deduct  $\frac{3}{4}$  inch (19 mm) if equipped with SML-4Z mountings, or deduct 2 $\frac{1}{2}$  inches (64 mm) if equipped with S&C Fault Fiter Electronic Power Fuse mountings.

■ Maximum rating for Models PMH-3, PMH-10, and for all other models equipped with S&C Fault Fiter Electronic Power Fuses is 29 kV.