

Without Optional Cable Guides

Inches (mm)

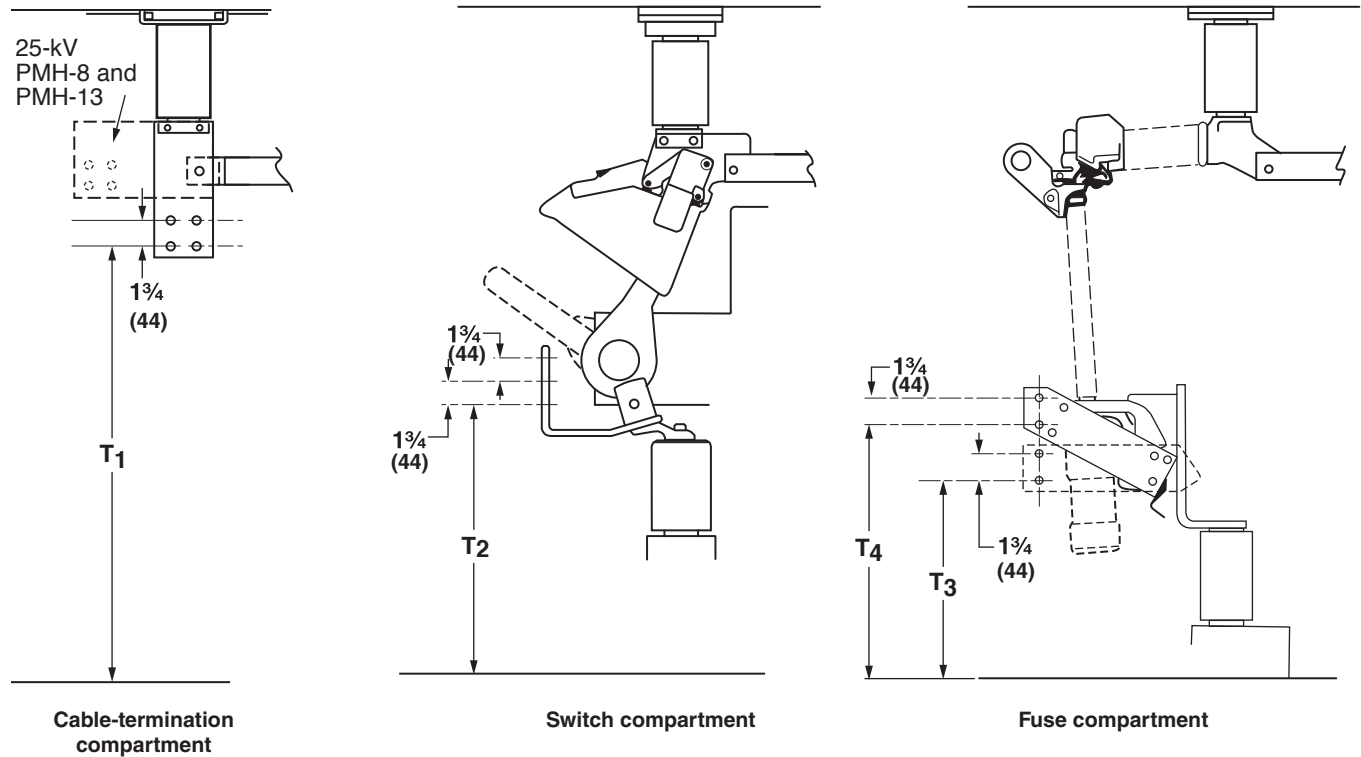


Table 1. Without Optional Cable Guides, Ratings and Dimensions

| Rating, kV | | | Dimensions in Inches (mm)★ | | | |
|------------|------|-----|----------------------------|------------------|------------------|------------------|
| Nom. | Max① | BIL | T ₁ ■ | T ₂ ■ | T ₃ ◆ | T ₄ ◆ |
| 14.4 | 17.0 | 95 | 28¼ (718) | 16½ (410) | 12⅝ (321) | 17¼ (438) |
| 25 | 27▲ | 125 | 38● (965) | 25¾ (654) | 18⅞ (479) | 23½ (597) |

① Maximum rating may be lower when current-limiting fuses are used. Consult appropriate current-limiting fuse manufacturer for complete fuse ratings.

★ For models equipped with optional base spacers, increase cable-termination height by height of respective base spacer. For models equipped with optional cable guides, suffixes "-M2" or "-M3," refer to page 2.

■ Dimensions will be different for models equipped with optional switch- and bus-terminal adapters (suffix "-M1") or mounting provisions for porcelain cable terminators (suffix "-U2" or "-U3"). Refer to the nearest S&C Sales Office.

◆ Dimensions shown for models rated 14.4 kV apply to units equipped with SML-20 or SML-4Z mountings; add 1½ inches (35 mm) if equipped with S&C Fault Fiter® Electronic Power Fuse mountings. Dimensions shown for models rated 25 kV apply to units equipped with SML-20 mountings; deduct ¼ inch (19 mm) if equipped with SML-4Z mountings or deduct 2½ inches (64 mm) if equipped with S&C Fault Fiter Electronic Power Fuse mountings.

▲ Maximum ratings for models PMH-3, PMH-10, and PMH-13 is 29 kV.

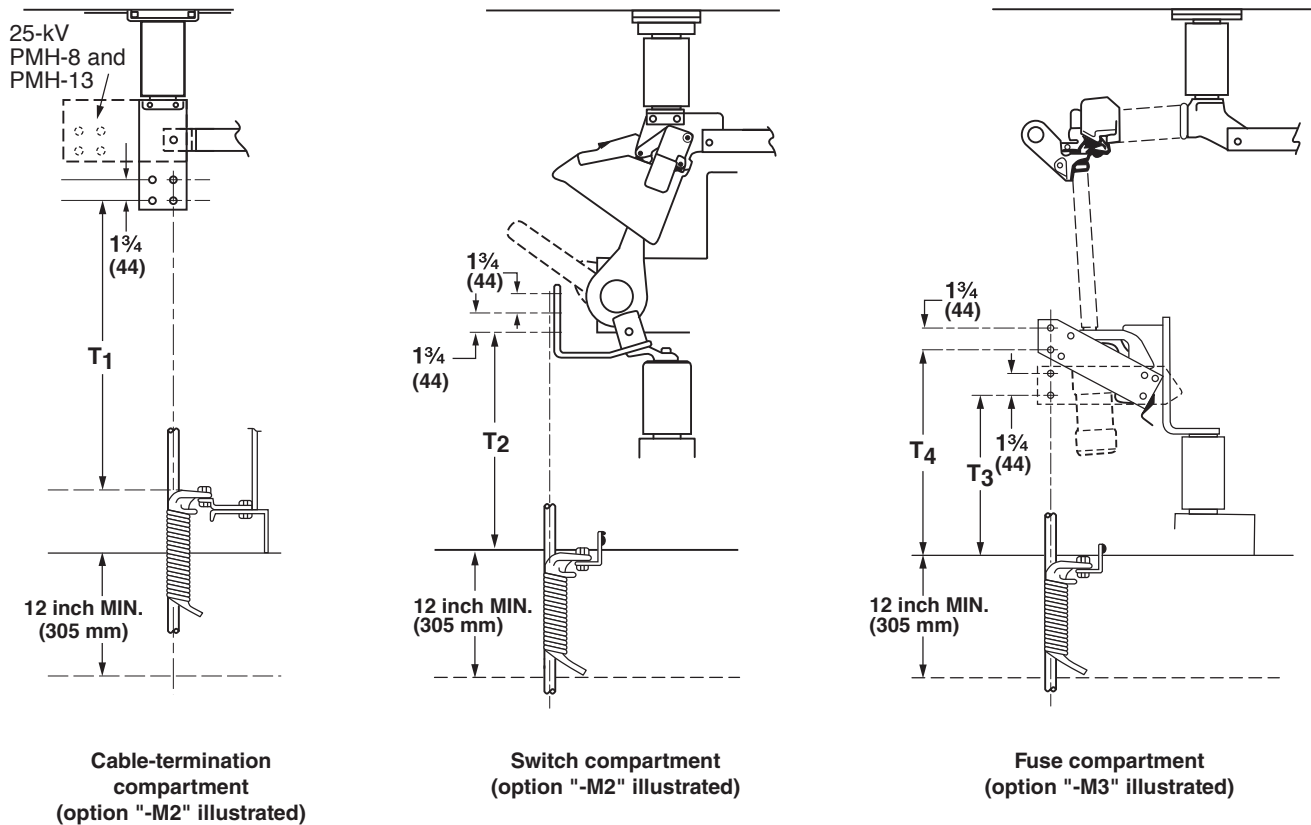
● The dimension shown applies to 25-kV PMH-3 and PMH-4 models; dimension is 41¼ inches (1060 mm) for 25 kV PMH-8 and PMH-13 models.



S&C Source-Transfer PMH Pad-Mounted Gear

With Optional Cable Guides★

Inches (mm)



★ These devices extend below the base of the unit. Provide a cable pit, or specify a base spacer that provides a 12-inch (305-mm) or greater increase in elevation of ungrounded parts above the mounting pad.

Table 2. With Optional Cable Guides, Ratings and Dimensions

| Rating, kV | | | Dimensions in Inches (mm) | | | |
|------------|------------------|-----|---------------------------|------------------|------------------|------------------|
| Nom. | Max ^① | BIL | T ₁ ■ | T ₂ ■ | T ₃ ◆ | T ₄ ◆ |
| 14.4 | 17.0 | 95 | 22 3/8 (575) | 16 1/8 (409) | 12 5/8 (321) | 17 1/4 (438) |
| 25 | 27▲ | 125 | 38 3/4● (857) | 25 3/4 (654) | 18 7/8 (479) | 23 1/2 (597) |

① Maximum rating may be lower when current-limiting fuses are used. Consult appropriate current-limiting fuse manufacturer for complete fuse ratings.

■ Dimensions will be different for models equipped with optional switch- and bus-terminal adapters (suffix "-M1"). Refer to the nearest S&C Sales Office.

◆ Dimensions shown for models rated 14.4 kV apply to units equipped with SML-20 or SML-4Z mountings; add 1 3/8 inches (35 mm) if equipped with

S&C Fault Fiter® Electronic Power Fuse mountings. Dimensions shown for models rated 25 kV apply to units equipped with SML-20 mountings; deduct 3/4 inch (19 mm) if equipped with SML-4Z mountings or deduct 2 1/2 inches (64 mm) if equipped with S&C Fault Fiter Electronic Power Fuse mountings.

▲ Maximum ratings for models PMH-3, PMH-10, and PMH-13 is 29 kV.

● The dimension shown applies to 25-kV PMH-3 and PMH-4 models; dimension is 34 1/2 inches (876 mm) for PMH-8 and PMH-13 models.