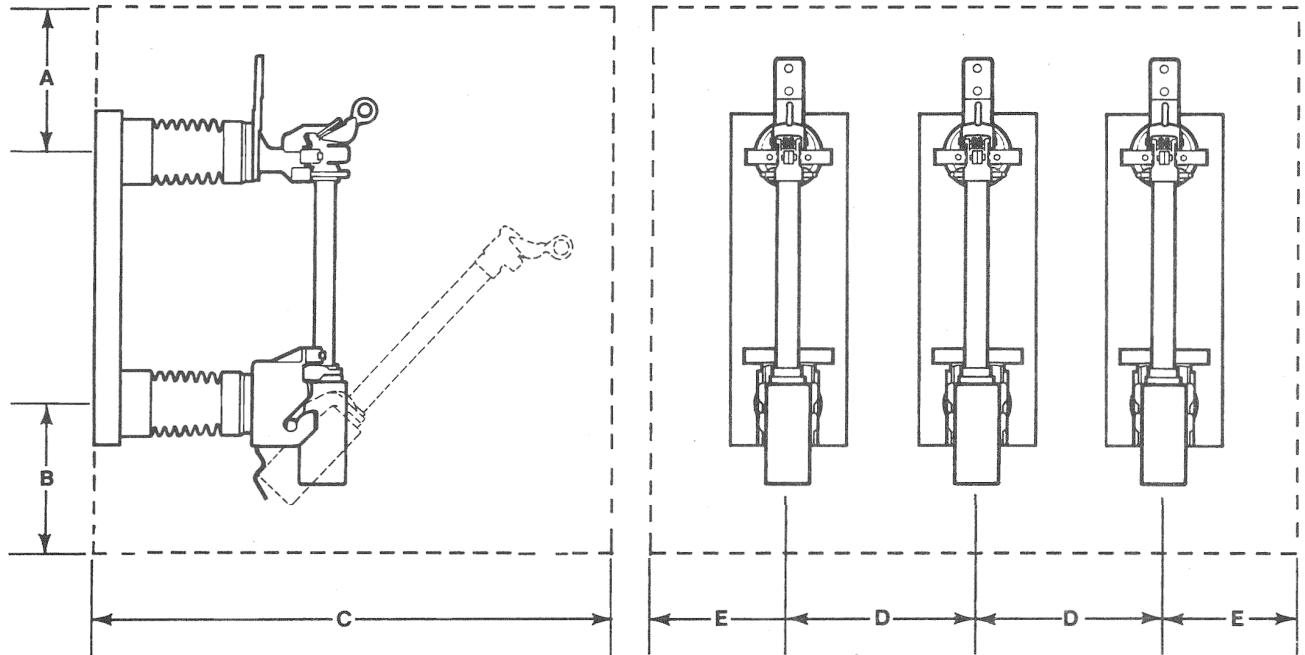


STATION-VERTICAL STYLE



Rating				Mounting Clearances, Inches (mm)				
Kv			Amperes, Max	A	B ^①	C	D	E
Nominal	Max Des.	BIL						
4.8	5.5	95	400E	14½ (368)	14½ (368)	43 (1092)	16 (406)	11½ (292)
14.4	17.0	110	400E	16 (406)	16 (406)	47 (1194)	18 (457)	13 (330)
25	29	150	400E	20 (508)	20 (508)	57 (1448)	22 (559)	17 (432)

① Clearance to grounded objects when the source is connected to the main-contact end or to the hinge end of the fuse mounting.



Supersedes Data Bulletin 242-84 dated 11-6-89

October 28, 2019

© S&C Electric Company 1989-2019, all rights reserved